

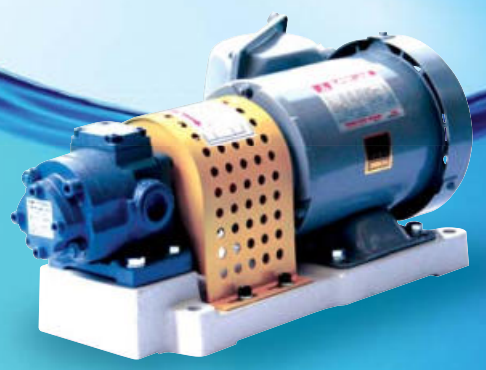
I  
n  
t  
e  
r  
n  
a  
l  
  
g  
e  
a  
r  
  
p  
u  
m  
p  
  
p  
r  
o  
d  
u  
c  
t  
  
g  
u  
i  
d  
e



Internal gear pump

Product guide

*Version.3*





1A Pump



2A Pump  
(Relief valve)

# FTP

## Internal gear pump

Product lineup for a wide range of applications

Hydraulic

Chemistry

lubricant

Fuel



2Y Motor Pump



3H Pump

### Main features

- Competitive-priced products offering excellent cost performances
- Durable performance

Durability would not be deteriorated even in case of pumping liquid difficult to feed such as low viscous liquid.

- Wide variety of products for various applications

There are products for special uses including long life products compatible with water reactive liquids like urethane materials.

- Same mounting dimensions as that similar products from other manufacturers are installed in

Therefore, switching from other product to a FTP pump can be done without trouble.

<Note> Mounting dimensions are different in some models.

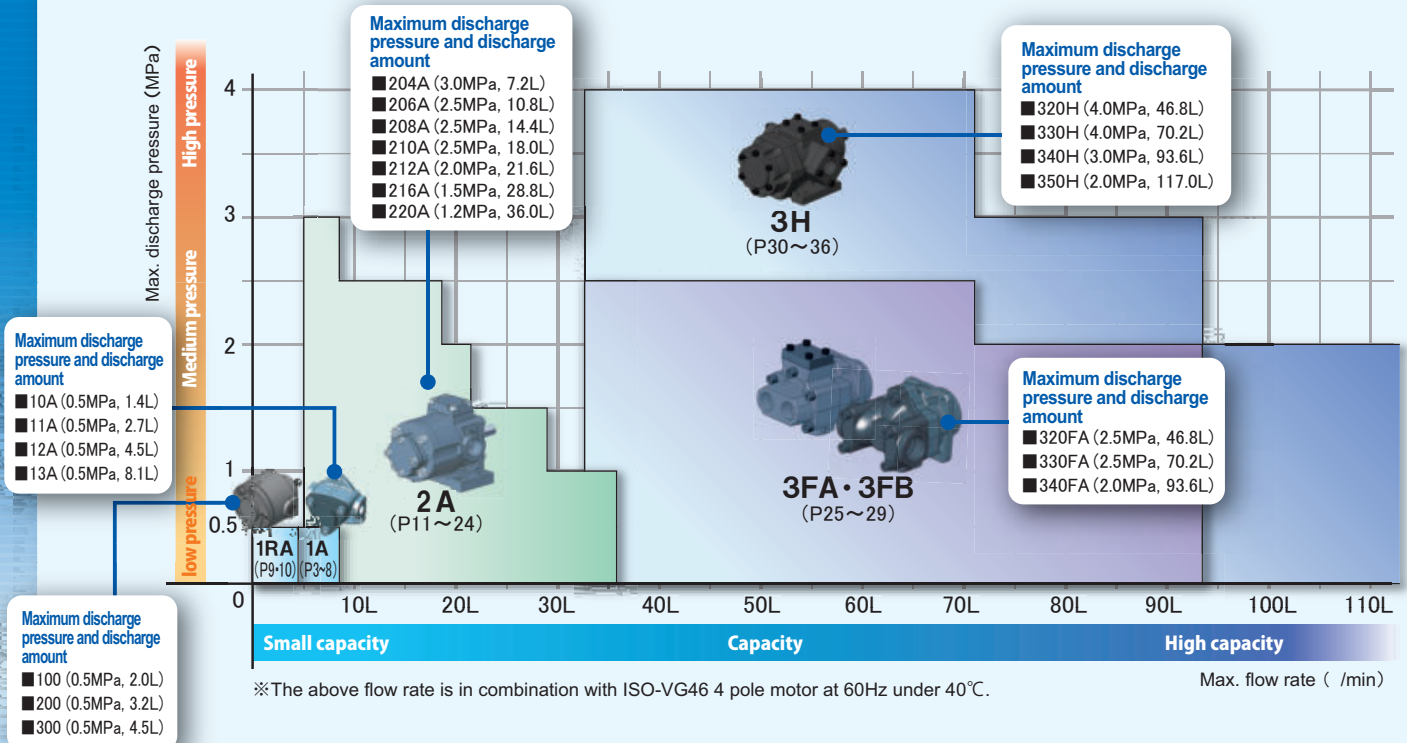
- Motors in compliance with the latest standards are available.

## Internal gear pump (Standard ver.) performance distribution map

This is the performance distribution map of FTP pumps.

Please choose the pump you need in terms of the max. discharge pressure and the max. flow rate.

<Note>For the selection of the right pump, you should also refer to "Viscosity table of oils" and "Guide for selection of pump" on page 38.



## Product configurations and reference pages

Each configuration is classified as a pump alone, a pump integrated with a motor or a base coupling mount type. Please see the following matrix to find the page numbers of the configuration of your choice.

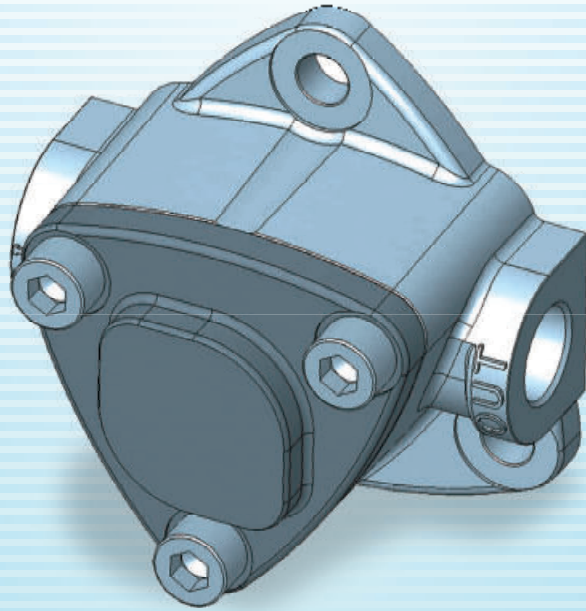
| Pump model<br>Product configuration |                         | 1A              | 1RA   | 2A                                      | 3F(A·B)   | 3H                          |
|-------------------------------------|-------------------------|-----------------|-------|---|-----------|-----------------------------|
|                                     |                         | P3~8            | P9·10 | P11~24                                  | P25~29    | P30~36                      |
| <b>Pump alone</b>                   |                         | P4·5<br>(WO) P5 | P10   | P12~14<br>(WO) P15 (PL) P16             | P26·27    | P31·32<br>(WO) P33 (PL) P33 |
| <b>Integrated with motor type</b>   | Single phase motor      | P6              | —     | P17·18<br>(WO) Available (PL) Available | —         | —                           |
|                                     | 3 phase motor           | P7              | —     | P19·20<br>(WO) P24 (PL) Available       | P28       | —                           |
|                                     | Compliance to standards | P8              | —     | P21                                     | P29       | —                           |
| <b>Base coupling mount type</b>     |                         | Available       | —     | P22~24                                  | Available | P34~36                      |

※ (WO) bunker oil, coolant water (PL) liquid seal

### ■ Tips

Material of internal gear pump ..... P8  
 Risks to pump operation ..... P14  
 Kind of pump ..... P16  
 Appropriate filter ..... P29  
 Seal structure and material ..... P32

Relief valve ..... P37  
 Viscosity table of oils ..... P38  
 Guide for pump selection ..... P38



# 1A

Small capacity / Low pressure

**1A**

**Pump**

**1AWO**

**Pump** (Bunker oil, Coolant)

**1ME-S**

**Motor Pump** (Single-phase motor)

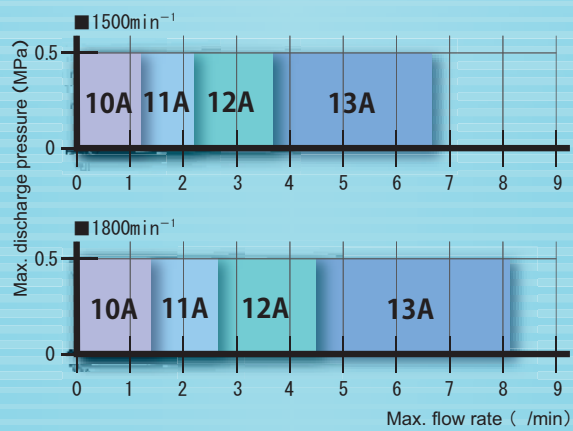
**1E**

**Motor Pump** (Three-phase motor)

**1E**

**Motor Pump** (CCC·CE Standards)

## Performance pattern chart





# 1A

# Pump

Small capacity / Low pressure

This 1A pump is a light, compact and inexpensive pump. The pump is ideal to transfer hydraulic oil and lubricant oil. The max. flow rate and discharge pressure are 8.1L/min and 0.5MPa, respectively. The max. temp. is as follows.

- The VF version (High Temp.) 1 20°C
- The WO version (Bunker oil, Coolant Water) 1 50°C
- The 1ME version or The 1ME-S version (Dedicated Motor) 1 20°C

If the motor is dedicatly running 24 hours please use at 80°C or less.

The set pressure of the VB (With relief valve) is usually 0.3MPa.

The rotation direction is counter-clockwise as seen from the end of the shaft.



## Model

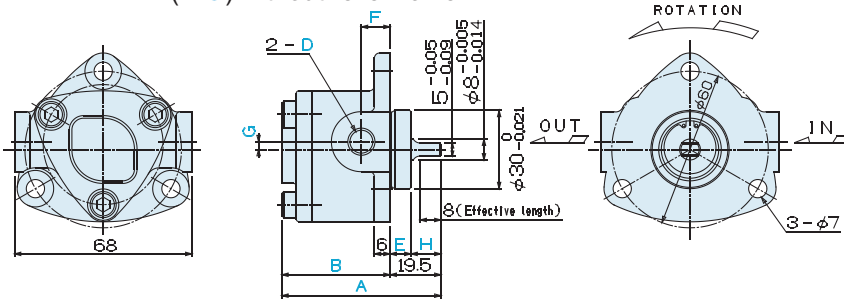
| Model No. | Applications       | Shaft and shape       | Rotation direction           | Seal material       | Relief valve              |
|-----------|--------------------|-----------------------|------------------------------|---------------------|---------------------------|
| FTP-□A□   |                    |                       |                              |                     |                           |
| 10        | No mark : Standard | No mark : standard    | ※From pump side              | No mark : standard  | No mark : without valve   |
| 11        | WO : Bunker oil,   | (Plain shaft)         | No mark : standard rotaiton  | (-5~40°C)           | VB : with valve           |
| 12        | Coolant water      | M : Special motor     | operation                    | V F : Viton (R) for | ※The relief valve is not  |
| 13        |                    | (shaftend with D cut) | (Counterclockwise direction) | high temp. (120°C)  | available for the inverse |
|           |                    |                       | (Clockwise)                  |                     | rotation operation.       |

Model examples :  
 FTP-10AVF (High temp. ver.)  
 FTP-12A-VB (With relief valve)  
 FTP-13AM (Dedicated motor ver.)

※There is also a product with a L-shaped foot or a square flange. Please contact us for more information.

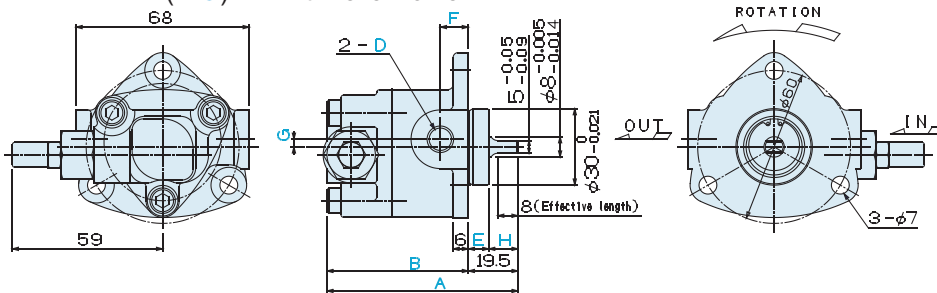
## Dimensional diagrams / Standard rotation (mm)

■FTP-1\*A(WO) without relief valve



| Model      | A    | B    | D     | E | F  | G   | H    |
|------------|------|------|-------|---|----|-----|------|
| 10A(WO)    | 55   | 35.5 | Rc1/8 | 8 | 11 | 3   | 11.5 |
| 11A(WO)    | 55   | 35.5 | Rc1/8 | 8 | 11 | 3   | 11.5 |
| 12A(WO)    | 61   | 41.5 | Rc1/4 | 8 | 11 | 3   | 11.5 |
| 13A(WO)    | 76   | 56.5 | Rc3/8 | 5 | 14 | 5.5 | 14.5 |
| 10A(WO)-VB | 69.5 | 50   | Rc1/8 | 8 | 11 | 3   | 11.5 |
| 11A(WO)-VB | 69.5 | 50   | Rc1/8 | 8 | 11 | 3   | 11.5 |
| 12A(WO)-VB | 75.5 | 56   | Rc1/4 | 8 | 11 | 3   | 11.5 |
| 13A(WO)-VB | 90.5 | 71   | Rc3/8 | 5 | 14 | 5.5 | 14.5 |

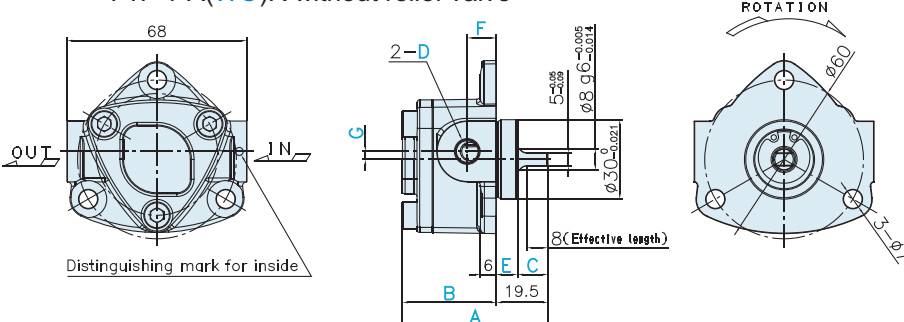
■FTP-1\*A(WO)-VB with relief valve



## Dimensional diagrams / Reverse rotation (mm)

※Relief valve is not support in case of reverse rotaiton.

■FTP-1\*A(WO)R without relief valve



| Model    | A  | B    | C    | D     | E | F  | G |
|----------|----|------|------|-------|---|----|---|
| 11A(WO)R | 55 | 35.5 | 11.5 | Rc1/8 | 8 | 11 | 3 |
| 12A(WO)R | 61 | 41.5 | 11.5 | Rc1/4 | 8 | 11 | 3 |

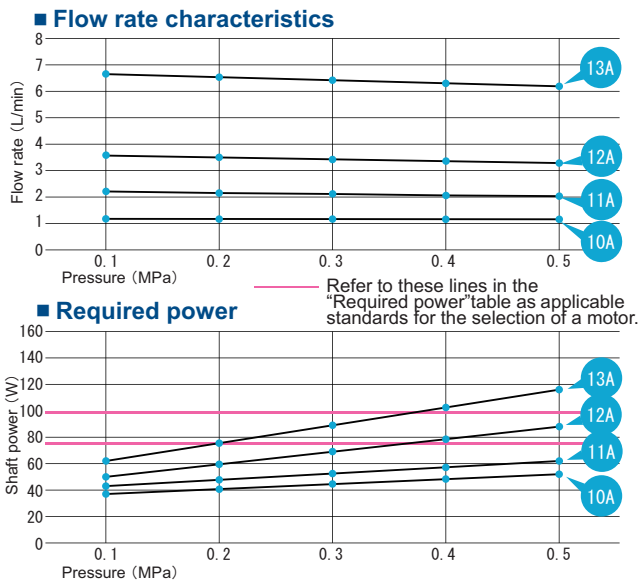
| Model    | Flow rate per rev. (ml/rev) | Theoretical flow rate (L/min) |                       | Max. discharge pressure (MPa) | Max. revolution (min <sup>-1</sup> ) | Approx. weight Without valve/With valve (kg) |
|----------|-----------------------------|-------------------------------|-----------------------|-------------------------------|--------------------------------------|--|
|          |                             | 1500min <sup>-1</sup>         | 1800min <sup>-1</sup> |                               |                                      |  |
| 10A (VB) | 0.8                         | 1.2                           | 1.4                   | 0.5                           | 3000                                 | 0.50/0.68                                    |
| 11A (VB) | 1.5                         | 2.2                           | 2.7                   | 0.5                           | 2000                                 | 0.51/0.69                                    |
| 12A (VB) | 2.5                         | 3.7                           | 4.5                   | 0.5                           | 1800                                 | 0.57/0.75                                    |
| 13A (VB) | 4.5                         | 6.7                           | 8.1                   | 0.5                           | 1800                                 | 0.76/0.94                                    |

○The above max. discharge pressure and max. revolution are in use of ISO-VG46 at 40°C. The rates vary depending on viscosity and temperature.

## Performance

○Test conditions Oil: ISO-VG46 Oil temp: 40°C

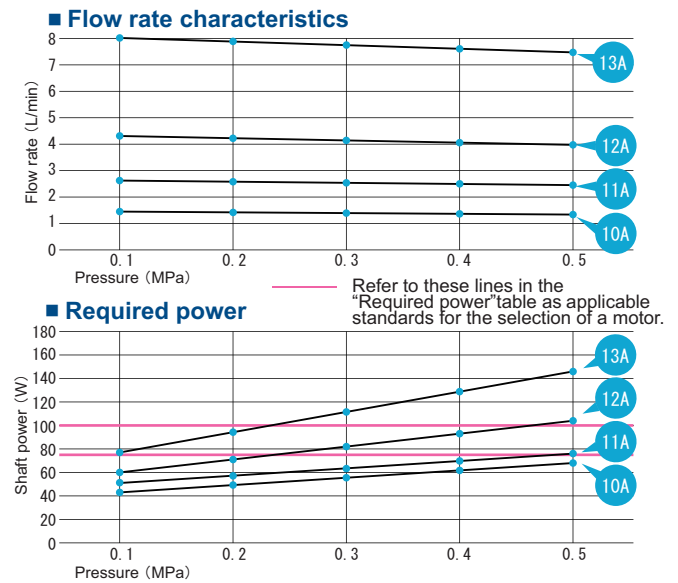
### At 1,450 rotations (50Hz)



| Model    | Flow rate (L/min) |      |      |      |      | Required power (W) |     |     |     |     |
|----------|-------------------|------|------|------|------|--------------------|-----|-----|-----|-----|
|          | Pressure (MPa)    |      |      |      |      | Pressure (MPa)     |     |     |     |     |
|          | 0.1               | 0.2  | 0.3  | 0.4  | 0.5  | 0.1                | 0.2 | 0.3 | 0.4 | 0.5 |
| 10A (VB) | 1.18              | 1.17 | 1.17 | 1.16 | 1.16 | 37                 | 41  | 45  | 49  | 52  |
| 11A (VB) | 2.21              | 2.16 | 2.12 | 2.07 | 2.03 | 43                 | 48  | 52  | 57  | 62  |
| 12A (VB) | 3.58              | 3.50 | 3.43 | 3.36 | 3.29 | 50                 | 59  | 68  | 77  | 88  |
| 13A (VB) | 6.68              | 6.55 | 6.43 | 6.31 | 6.19 | 62                 | 75  | 89  | 103 | 117 |

○The required power varies depending on viscosity, temp. etc.

### At 1,750 rotations (60Hz)



| Model    | Flow rate (L/min) |      |      |      |      | Required power (W) |     |     |     |     |
|----------|-------------------|------|------|------|------|--------------------|-----|-----|-----|-----|
|          | Pressure (MPa)    |      |      |      |      | Pressure (MPa)     |     |     |     |     |
|          | 0.1               | 0.2  | 0.3  | 0.4  | 0.5  | 0.1                | 0.2 | 0.3 | 0.4 | 0.5 |
| 10A (VB) | 1.45              | 1.42 | 1.40 | 1.37 | 1.34 | 43                 | 51  | 56  | 62  | 68  |
| 11A (VB) | 2.62              | 2.58 | 2.54 | 2.50 | 2.46 | 51                 | 57  | 63  | 70  | 76  |
| 12A (VB) | 4.31              | 4.23 | 4.14 | 4.06 | 3.98 | 60                 | 70  | 82  | 93  | 104 |
| 13A (VB) | 8.02              | 7.88 | 7.75 | 7.61 | 7.48 | 77                 | 94  | 110 | 128 | 146 |

# 1AWO

## Pump

(Bunker oil, Coolant)

Small capacity / Low pressure

Special PTFE (Teflon (R)) type seals are used in the 1AWO to prevent deterioration of sealing capability due to chemical reaction with coolant water or bunker oil. Regarding the flow rate, as the viscosity of bunker oil and coolant water is relatively low, flow rates of the WO version are approximately 60% of that of the standard pumps with ISO-VG46 at 40°C. Although the maximum temperature of the 1AWO is 150°C, a pump for higher temperatures can be developed. Please consult with Fuji Techno about a WO pump for higher temp.

# 1ME-S

# Moter Pump

Small capacity / Low pressure

1ME-S is a compact unit consisting of the 1A pump and a dedicated motor. The motor is single phase 100/200V. There is no ultrahigh temp. version (VH) of this pump for temperatures higher than 120°C. The set pressure of the relief valve is typically 0.3MPa.



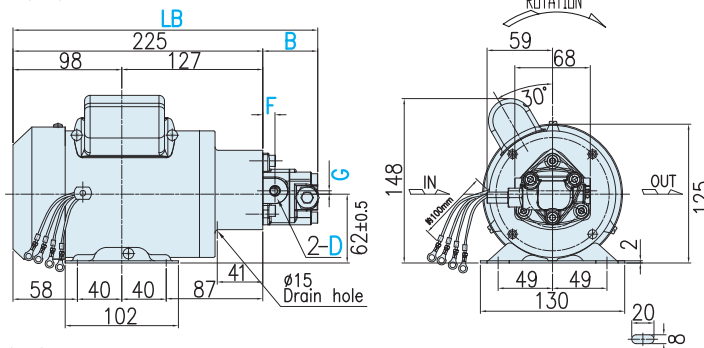
## Model

| Motor output                        | Model No.   | Applications  | Rotation direction   | Seal material  | Relief valve                          |
|-------------------------------------|---|---|--|--|---------------------------------------|
| FTP-1ME <input type="checkbox"/> S- | <input type="checkbox"/> A <input type="checkbox"/> M |   | <input type="checkbox"/>   | <input type="checkbox"/> -   | <input type="checkbox"/>              |
| 75<br>200                           | 10<br>11<br>12<br>13                                  | No mark : standrad<br>WO : Bunkar oil,<br>Coolant oil | ※Look from pump side<br>No mark : standard rotation<br>(Clockwise)<br>R : Reverse rotaion<br>(Counter clockwise) | No mark : Standard<br>(-5~40°C)<br>VF : Viton (R) (high temp)<br>(120°C, 24hours continuous in case of 80°C) | No mark : No valve<br>VB : With valve |

Model examples : FTP-1ME75S-10AMVF  
(75W, single-phase, high temp. spec)  
FTP-1ME200S-13AM-VB  
(200W, single-phase, with relief valve)

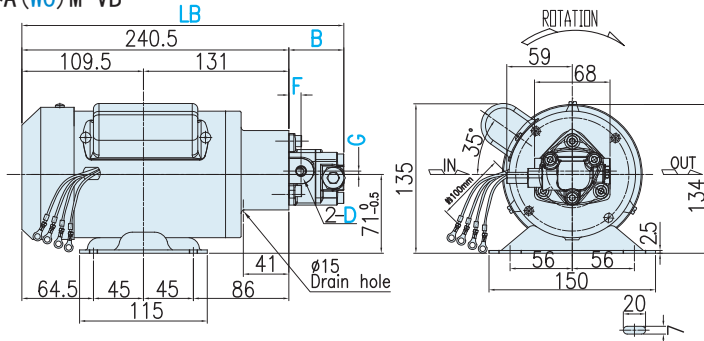
## Dimensional diagrams (mm)

### ■ FTP-1ME75S-1\*A (WO) M-VB



| Model       | LB  | B  | D     | F  | G |
|-------------|-----|----|-------|----|---|
| 10A(WO)M-VB | 275 | 50 | Rc1/8 |    |   |
| 11A(WO)M-VB | 275 | 50 | Rc1/8 | 11 | 3 |
| 12A(WO)M-VB | 281 | 56 | Rc1/4 |    |   |

### ■ FTP-1ME200S-1\*A (WO) M-VB



| Model       | LB    | B  | D     | F  | G   |
|-------------|-------|----|-------|----|-----|
| 10A(WO)M-VB | 290.5 | 50 | Rc1/8 |    |     |
| 11A(WO)M-VB | 290.5 | 50 | Rc1/8 | 11 | 3   |
| 12A(WO)M-VB | 296.5 | 56 | Rc1/4 |    |     |
| 13A(WO)M-VB | 311.5 | 71 | Rc3/8 | 14 | 5.5 |

## Spec

| Model     | No. of motor revolutions 50Hz 1500min <sup>-1</sup> |   |      | No. of motor revolutions 60Hz 1800min <sup>-1</sup> |   |      |
|-----------|---|---|------|---|---|------|
|           | Theoretical flow rate (L/min)                       | Max. discharge pressure to motor output (MPa) |      | Theoretical flow rate (L/min)                       | Max. discharge pressure to motor output (MPa) |      |
|           |   | 75W   | 200W |   | 75W   | 200W |
| 10AM (VB) | 1.2   | 0.5   | 0.5  | 1.4   | 0.4   | 0.5  |
| 11AM (VB) | 2.2   | 0.5   | 0.5  | 2.7   | 0.3   | 0.5  |
| 12AM (VB) | 3.7   | 0.2   | 0.5  | 4.5   | 0.1   | 0.5  |
| 13AM (VB) | 6.7   | —   | 0.5  | 8.1   | —   | 0.5  |

○ The above max. discharge pressure are in combination with ISO-VG46 at 40°C. The rates vary depending on viscosity and temperature.

## Motor Spec

| Power(W) | Pole(P) | Rating | Voltage(V) | Frequency(Hz) | Revolutions (min <sup>-1</sup> ) | Current(A) | Approx weight(kg) |
|----------|---------|--------|------------|---------------|----------------------------------|------------|-------------------|
| 75       | 4       | S1     | 100        | 50/60         | 1400/1700                        | 1.7/1.4    | 5                 |
|          |         |        | 200        | 50/60         | 1400/1700                        | 1/0.8      | 5                 |
| 200      | 4       | S1     | 100        | 50/60         | 1400/1700                        | 4/3.2      | 7                 |
|          |         |        | 200        | 50/60         | 1400/1700                        | 2.1/1.8    | 7                 |

○ Single-phase induction motor ○ Insulation class B ○ IP44

Contact

TEL 072-858-5251 FAX 072-858-5238 Mail info@fuji-techno.co.jp

# 1 E

# Moter Pump

(Three-phase Motor)

Small capacity / Low pressure

1ME-S is a compact unit consisting of the 1A pump and a special dedicated motor.  
The standard motor is 3 phase and 200V class. In case of the high temperature specification, please confer with Fuji Techno.  
Usually, 0.3 MPa is the set pressure of the relief valve (VB).



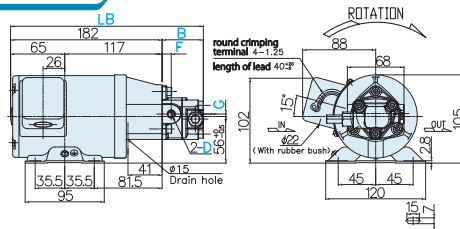
## Model

| Motor output   | Attachment  | Model No.  | Applications   | Rotation direction  | Seal material  | Relief valve   |
|--|---|--|--|---|--|--|
| FTP-1E <input type="checkbox"/> 75<br><input type="checkbox"/> 100<br><input type="checkbox"/> 200 | - <input type="checkbox"/> 1 or No mark :<br>Horizontal | - <input type="checkbox"/> 10<br><input type="checkbox"/> 11<br><input type="checkbox"/> 12<br><input type="checkbox"/> 13 | - <input type="checkbox"/> A <input type="checkbox"/> M<br>No mark : standard<br>WO : Bunker oil,<br>coolant oil | - <input type="checkbox"/><br>※look from pump side<br>No mark : standard<br>(Clockwise)<br>R : Reverse rotation<br>specification<br>(Counter clockwise) | - <input type="checkbox"/> No mark : standard<br>(-5~40°C)<br>VF : Viton (R) for<br>high temp (120°C. In case of<br>24 hour continuous 80°C) | - <input type="checkbox"/> No Mark : no valve<br>VB : with valve |

Model examples :  
FTP-1E75-1-10AMVF  
(75W, horizontal type, high temp. spec)  
FTP-1E100-13AM-VB  
(100W, with relief valve)

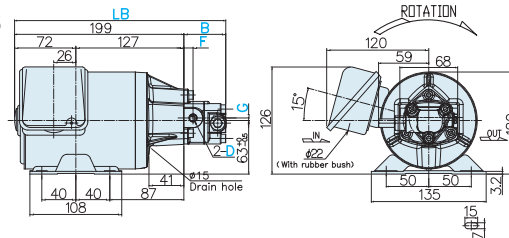
## Dimensional diagrams (mm)

■ FTP-1E75-1-1\*A(WO)M-VB



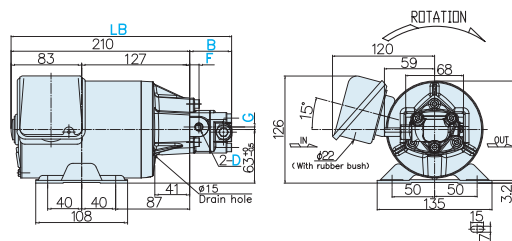
| Model         | LB  | B  | D     | F  | G |
|---------------|-----|----|-------|----|---|
| 10A (WO) M-VB | 232 | 50 | Rc1/8 | 11 | 3 |
| 11A (WO) M-VB | 232 | 50 |       |    |   |
| 12A (WO) M-VB | 238 | 56 | Rc1/4 |    |   |

■ FTP-1E100-1\*A(WO)M-VB



| Model         | LB  | B  | D     | F  | G   |
|---------------|-----|----|-------|----|-----|
| 10A (WO) M-VB | 249 | 50 | Rc1/8 | 11 | 3   |
| 11A (WO) M-VB | 249 | 50 |       |    |     |
| 12A (WO) M-VB | 255 | 56 | Rc1/4 |    |     |
| 13A (WO) M-VB | 270 | 71 | Rc3/8 | 14 | 5.5 |

■ FTP-1E200-1\*A(WO)M-VB



| Model         | LB  | B  | D     | F  | G   |
|---------------|-----|----|-------|----|-----|
| 10A (WO) M-VB | 260 | 50 | Rc1/8 | 11 | 3   |
| 11A (WO) M-VB | 260 | 50 |       |    |     |
| 12A (WO) M-VB | 266 | 56 | Rc1/4 |    |     |
| 13A (WO) M-VB | 281 | 71 | Rc3/8 | 14 | 5.5 |

## Spec

| Model    | No. of motor revolutions 50Hz 1500min <sup>-1</sup> |   |      |      | No. of motor revolutions 60Hz 1800min <sup>-1</sup> |   |      |      |
|----------|---|---|------|------|---|---|------|------|
|          | Theoretical flow rate (L/min)                       | Max. discharge pressure to motor output (MPa) |      |      | Theoretical flow rate (L/min)                       | Max. discharge pressure to motor output (MPa) |      |      |
|          |   | 75W   | 100W | 200W |   | 75W   | 100W | 200W |
| 10AM(VB) | 1.2   | 0.5   | 0.5  | 0.5  | 1.4   | 0.4   | 0.5  | 0.5  |
| 11AM(VB) | 2.2   | 0.5   | 0.5  | 0.5  | 2.7   | 0.3   | 0.5  | 0.5  |
| 12AM(VB) | 3.7   | 0.2   | 0.5  | 0.5  | 4.5   | 0.1   | 0.3  | 0.5  |
| 13AM(VB) | 6.7   | —   | 0.2  | 0.5  | 8.1   | —   | 0.1  | 0.5  |

○ The above max. discharge pressure are in combination with ISO-VG46 at 40°C.  
The rates vary depending on viscosity and temperature.

## Motor Spec

| Power(W) | Ploe(P) | Rating | Voltage(V)  | Frequency(Hz) | Revolutions (min <sup>-1</sup> ) | Current(A)     | Approx weight(kg) |
|----------|---------|--------|-------------|---------------|----------------------------------|----------------|-------------------|
| 75       | 4       | CONT   | 200/200/220 | 50/60/60      | 1380/1660/1680                   | 0.60/0.55/0.55 | 5.0               |
| 100      | 4       | CONT   | 200/200/220 | 50/60/60      | 1350/1610/1650                   | 0.58/0.54/0.52 | 7.0               |
| 200      | 4       | CONT   | 200/200/220 | 50/60/60      | 1430/1710/1730                   | 1.12/1.00/1.01 | 7.0               |

○ Squirrel-cage induction motor ○ Insulation class E ○ Fully closed type ○ IP44  
※ 380V/50Hz, 400V/50・60Hz and 440V/60Hz are available.



# 1 E

## Moter Pump

(Standards (CCC, CE))

Small capacity / Low pressure

1A dedicated motors complying with numerous regulations and specs.  
The set pressure of the relief valve is usually 0.3MPa.



### Model

| Motor output | Standard   | Model No. | Applications  | Rotation direction  | Seal Material   | Relief valve                          |
|--------------|--|-----------|---|---|---|---------------------------------------|
| FTP-1E       | □ - □ - □  | A □ M     |   | □   | □ - □   | □                                     |
| 75           | A : 200V (CCC)   | 10        | No mark : standard<br>WO : Bunkar oil,<br>coolant oil | ※Look form pump side<br>No mark : standard<br>(Clockwise)<br>R : reverse roloution<br>(Counter clockwise) | No Mark : Standard<br>(-5~40°C)<br>VF : Viton (R) for<br>high temp. (120°C) | No Mark : No valve<br>VB : with valve |
| 100          | B : 380V (CCC)   | 11        |   |   |   |                                       |
| 200          | CA : 200V<br>(ENstandard)<br>CB : 400V<br>(ENstandard) | 12<br>13  |   |   |   |                                       |

Model examples :  
FTP-1E75-A-10AMVF  
(75W, 200V CCC, high temp. spec)  
FTP-1E100-B-10AM-VB  
(100W, 400V CCC, with relief valve)

### Dimension, pump spec., motor spec.

- ※ All numbers are the same as for the standard version. (page 7)
- ※ The protective structure compliance to CCC, EN (CE) is IP54 and the insulation class is B.

### Standard



In order to use motors with 1.1kW or less in China, the motors have to be CCC certified.



Only motors, which meet EN standard and have CE marks attached, can be used in member nations of EU.

### Compliance to standards

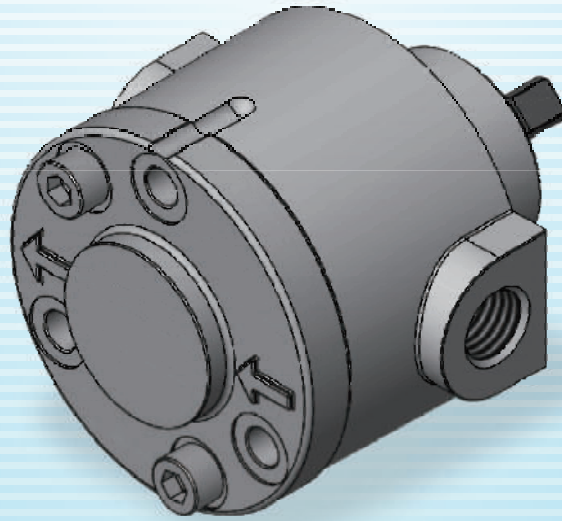
|                    | US·Canada                               | Korea                             | Australia                         | E U                                 | China                                | Japan                             |
|--------------------|---|-----------------------------------|-----------------------------------|-------------------------------------|--------------------------------------|-----------------------------------|
| Main Requirments   | 1HP~200HP<br>(0.75kW~150kW)<br>I E 3    | 0.75kW~37kW<br>I E 2              | 0.73kW~185kW<br>LEVEL 1A,1B       | 0.75kW~7.5kW<br>I E 3               | 0.75kW~375kW GB3<br>~1.1kW CCC       | 0.75kW~375kW<br>I E 3             |
| Suitable situation | standard use<br>※for 1HP (0.75kW) below | Standard use<br>※for 0.75kW below | Standard use<br>※for 0.73kW below | CE Product use<br>※for 0.75kW below | CCC product use<br>※for 0.75kW below | standard use<br>※for 0.75kW below |

- The above is as of May, 2017. Since standards may be revised, please check the latest status of a standard requirement.
- The standard for 0.75 kW - 375 kW motors changed from GB3 to GB2 in China in September, 2017. As needed, please contact us about the status of our compliance to the GB2 standard.

#### Tip 1 Material of FTP (Internal Gear Pump)



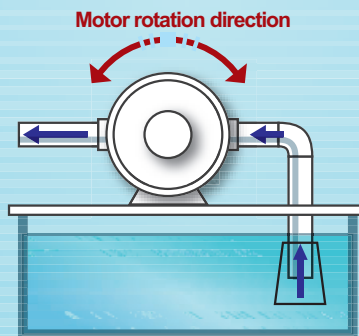
The FTP pump metal components are made of cast iron (FC) or carbon steel (SC) and the seal parts of rubber or resin. Therefore the main liquids that can be fed using the FTP pumps are various kinds of oil. FTP cannot handle corrosive liquids like acid and alkaline. However, since iron type metals are able to bear some chemicals like isocyanate and polyol, both of which are materials of urethane, expensive pumps used in urethane production have been replaced with FTP. If it is requested by customers, Fuji Techno will study the development of stainless or ceramic type pump.



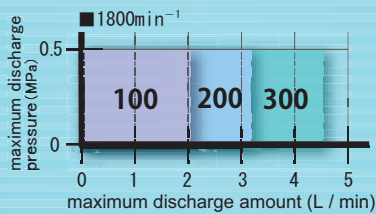
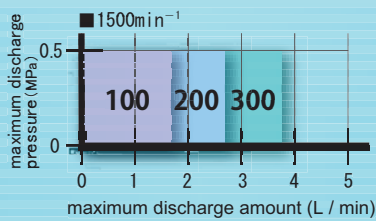
# 1RA

## Small Capacity / low pressure

The motor can be rotated clockwise or counter clockwise.  
The liquid always flows in one direction.



### Performance Pattern Chart



# 1RA

# Pump

Small Capacity / low pressure

The 1RA is an expensive, light and compact Pump.

This pump is ideal for the transport of hydraulic oil, lubricating oil in use following 4.5L / min 0.5MPa. The pump can rotate clockwise and counter clockwise along with the pump shaft. The pump also has a suction port and a discharge port. Prevention from rotor abnormal position, using a special kind of O-ring and rotating 180 degrees in rotation direction.

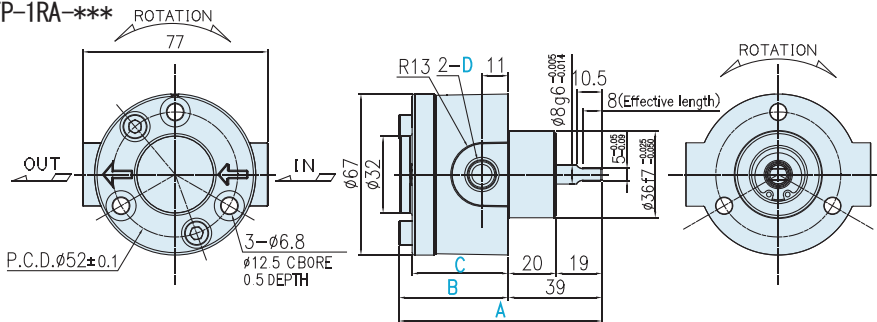


## Model

Model No.  
FTP-1RA-  
100  
200  
300

## Dimensional diagrams(mm)

■FTP-1RA-\*\*\*



| Model | A    | B    | C  | D     |
|-------|------|------|----|-------|
| 100   | 84.5 | 45.5 | 40 | Rc1/4 |
| 200   | 88.5 | 49.5 | 44 | Rc1/4 |
| 300   | 92.5 | 53.5 | 48 | Rc1/4 |

## Spec

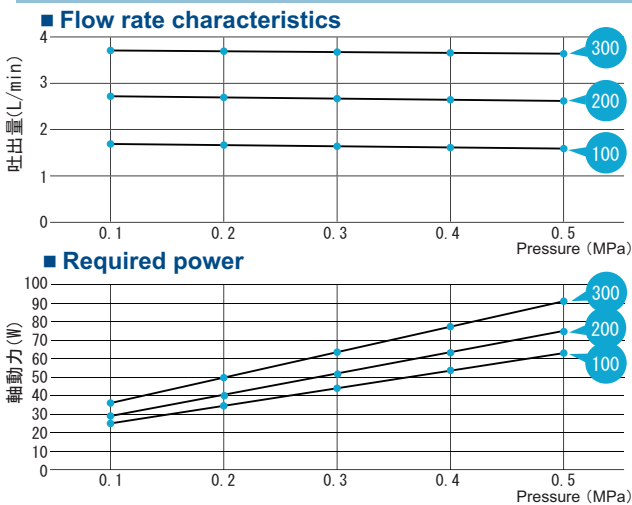
| Model | Flow rate per. rev. (ml/rev) | Theoretical flow rate (L/min) |                       | Max. discharge pressure (MPa) | Max. revolution (min <sup>-1</sup> ) | Approx. weight (kg) |
|-------|------------------------------|-------------------------------|-----------------------|-------------------------------|--------------------------------------|---------------------|
|       |                              | 1500min <sup>-1</sup>         | 1800min <sup>-1</sup> |                               |                                      |                     |
| 100   | 1.16                         | 1.74                          | 2.08                  | 0.5                           | 2000                                 | 1.1                 |
| 200   | 1.80                         | 2.70                          | 3.24                  | 0.5                           | 2000                                 | 1.2                 |
| 300   | 2.50                         | 3.75                          | 4.5                   | 0.5                           | 2000                                 | 1.3                 |

○The above max. discharge pressure and max. revolution are in use of ISO-VG46 at 40°C. The rates vary depending on viscosity and temperature.

## Performance

○Test condition Oil: ISO-VG46 oil temp: 40°C

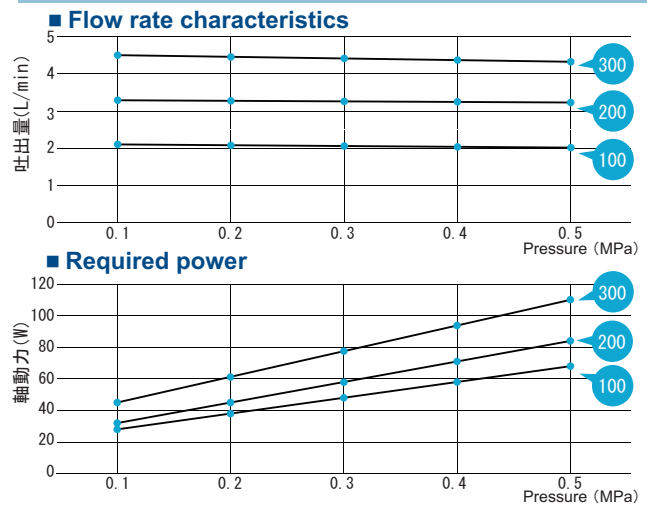
### At 1,450 rotations (50Hz)



| Spec  | Flow rate (L/min) |      |      |      |      | Required power (W) |     |     |     |     |
|-------|-------------------|------|------|------|------|--------------------|-----|-----|-----|-----|
|       | Pressure (MPa)    |      |      |      |      | Pressure (MPa)     |     |     |     |     |
| Model | 0.1               | 0.2  | 0.3  | 0.4  | 0.5  | 0.1                | 0.2 | 0.3 | 0.4 | 0.5 |
| 100   | 1.69              | 1.67 | 1.64 | 1.62 | 1.59 | 25                 | 34  | 44  | 54  | 63  |
| 200   | 2.72              | 2.70 | 2.67 | 2.65 | 2.62 | 29                 | 40  | 51  | 63  | 75  |
| 300   | 3.71              | 3.69 | 3.68 | 3.66 | 3.64 | 36                 | 49  | 63  | 77  | 91  |

○Required power change as per viscosity and temperature

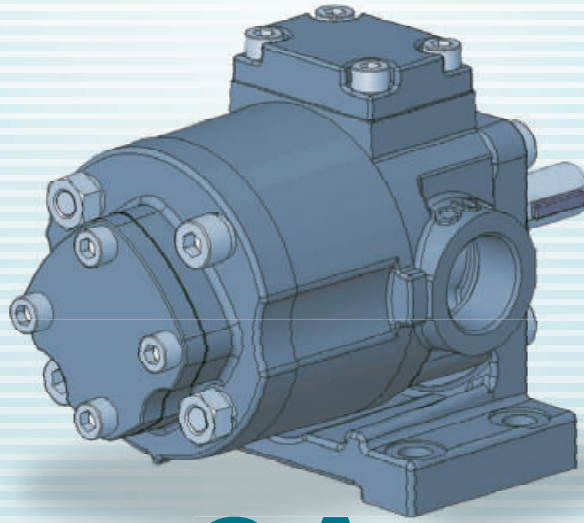
### At 1,750 rotations (60Hz)



| Spec  | Flow rate (L/min) |      |      |      |      | Required power (W) |     |     |     |     |
|-------|-------------------|------|------|------|------|--------------------|-----|-----|-----|-----|
|       | Pressure (MPa)    |      |      |      |      | Pressure (MPa)     |     |     |     |     |
| Model | 0.1               | 0.2  | 0.3  | 0.4  | 0.5  | 0.1                | 0.2 | 0.3 | 0.4 | 0.5 |
| 100   | 2.10              | 2.08 | 2.06 | 2.03 | 2.01 | 28                 | 37  | 47  | 58  | 68  |
| 200   | 3.29              | 3.28 | 3.26 | 3.25 | 3.23 | 32                 | 45  | 58  | 71  | 84  |
| 300   | 4.51              | 4.47 | 4.42 | 4.38 | 4.33 | 45                 | 61  | 77  | 94  | 110 |

Contact

TEL 072-858-5251 FAX 072-858-5238 Mail info@fuji-techno.co.jp

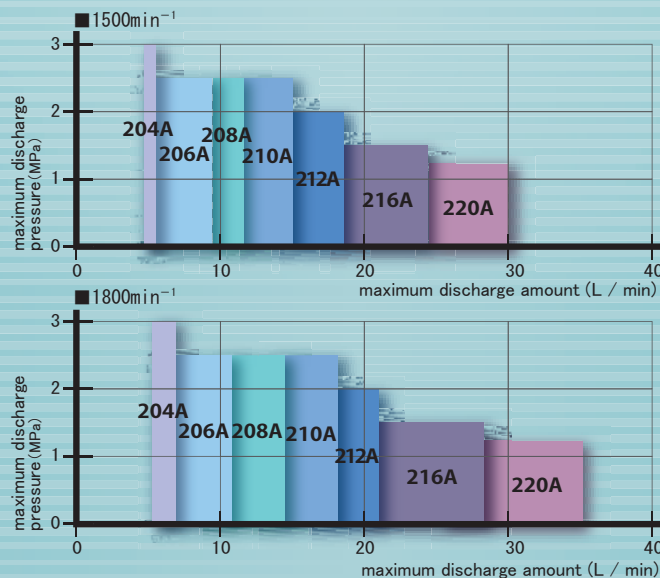


# 2A

## Medium Capacity / Medium pressure

|                 |   |
|-----------------|---|
| <b>2A</b>       | <b>Pump</b>   |
| <b>2AWO</b>     | <b>Pump (Bunker oil , Coolant)</b>  |
| <b>2APL</b>     | <b>Pump (Liquid seal to cut off outside air)</b>                                    |
| <b>2ME-S</b>    | <b>Motor pump (Single-phase motor)</b>  |
| <b>2Y</b>       | <b>Motor pump (Three-phase motor)</b>   |
| <b>2Y</b>       | <b>Motor pump integrated<br/>(CCC · GB3 · CE · IE3 corresponding special motor)</b> |
| <b>2MBC</b>     | <b>Base coupling mounting type</b>  |
| <b>2Y-2AWOM</b> | <b>Motor pump (Bunker oil , Coolant)</b>  |

### Performance Pattern Chart





# 2A

# Pump

Medium Capacity / Medium pressure

The 2A pump is for mid. capacity and mid. pressure. The max. flow rate and discharge pressure are 36L/min or less and 3MPa or less. For the applications of hydraulic pressure, lubrication and cooling, this pump is widely used to feed hydraulic oil and lubrication oil. A high temp. ver. (VF) and an ultra-high temp. ver. (VH) are up to 120°C and 200°C, respectively. The standard rotation direction of this pump is counter-clockwise.



## Model

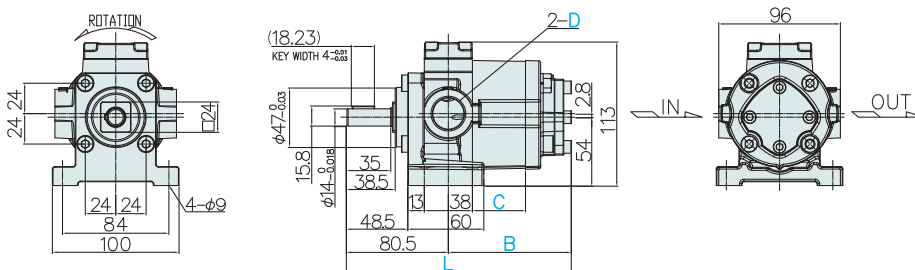
| FTP- <input type="checkbox"/> A | Model No. | Applications       | Form                | Rotation direction         | Seal material   | Relief valve       | Relief valve set pressure                |
|---------------------------------|-----------|--------------------|---------------------|----------------------------|---|--------------------|--|
|                                 | 204       | No mark : standard | No mark : standard  | ※Look from pump shaft side | No mark : Standard (-5~40°C)  | No mark : No valve | ex.                                      |
|                                 | 206       | WO : Bunker oil,   | M : Dedicated motor | No mark :                  | VF : Viton (R) for high temp. (120°C)   | VB : With valve    | 0.1 : Set pressure 0.1MPa (Spring No.1L) |
|                                 | 208       | Coolant Water      | (short shaft)       | Counter clockwise          | VH : Ultrahigh temp. (200°C)  | (Internal-return)  | 0.5 : Set pressure 0.5MPa (Spring No.2L) |
|                                 | 210       | PL : Liquid seal   |                     | R : Clockwise              | ※In case of the continuous operation of the pump for a long period, please contact Fuji Techno for consultation in advance. | VD : With valve    | 1.0 : Set pressure 1.0MPa (Spring No.3L) |
|                                 | 212       |                    |                     |                            |   | (External-return)  | 2.0 : Set pressure 2.0MPa (Spring No.4L) |
|                                 | 216       |                    |                     |                            |   |                    |  |
|                                 | 220       |                    |                     |                            |   |                    |  |

Model examples: FTP-203A-VB (With valve (Internal-return)) FTP-204AR (Counter-clockwise as seen from the shaft end)

※There is also a product of the L-shaped with a foot or without any corner flange as a mounting shape. Please contact us for more information.

## Dimensional diagrams / Standard rotation (mm)

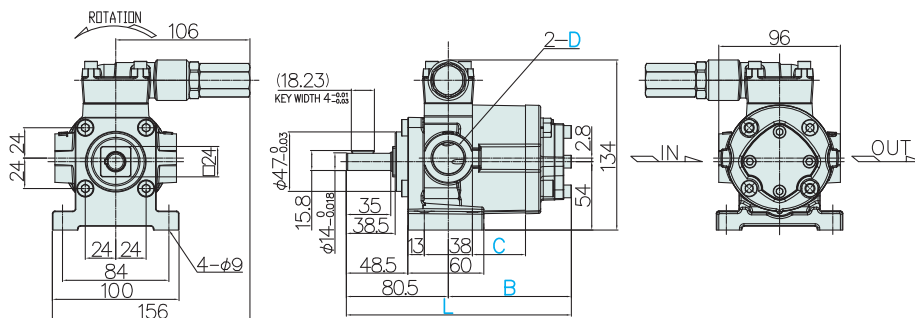
### ■ FTP-2\*\*A(WO,PL) Without valve



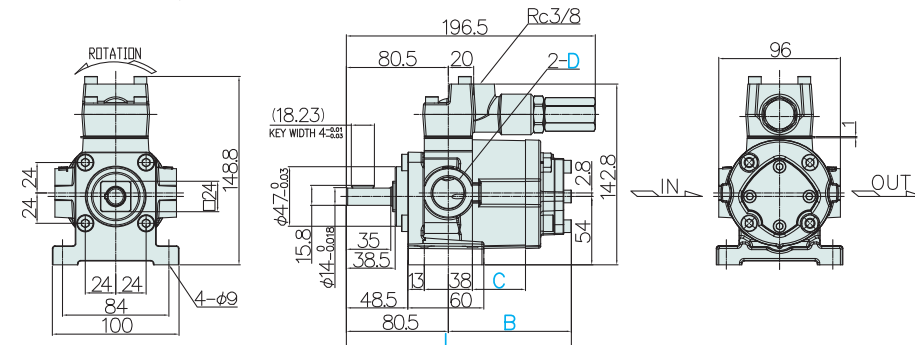
### ■ Standard and WO/PL type ※Common Drawing

| 型式           | L     | B     | C    | D      |
|--------------|-------|-------|------|--------|
| 204A (WO,PL) | 145.7 | 65.2  | 10   | Rc 1/2 |
| 206A (WO,PL) | 150.7 | 70.2  | 15   |        |
| 208A (WO,PL) | 157.0 | 76.5  | 21.3 |        |
| 210A (WO,PL) | 162.2 | 81.7  | 26.5 | Rc 3/4 |
| 212A (WO,PL) | 167.4 | 86.9  | 31.7 |        |
| 216A (WO,PL) | 177.6 | 97.1  | 41.9 |        |
| 220A (WO,PL) | 187.7 | 107.2 | 52.0 |        |

### ■ FTP-2\*\*A(WO,PL)-VB With relief valve (Internal-return) (VB)



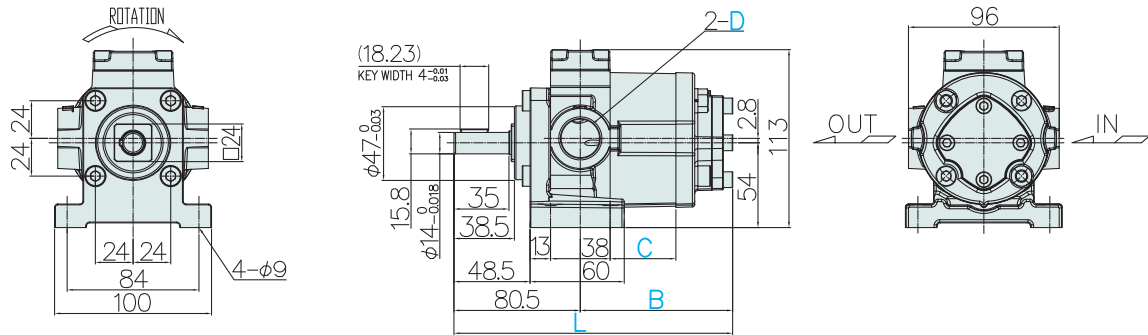
### ■ FTP-2\*\*A(WO,PL)-VD With relief valve (External-return) (VD)



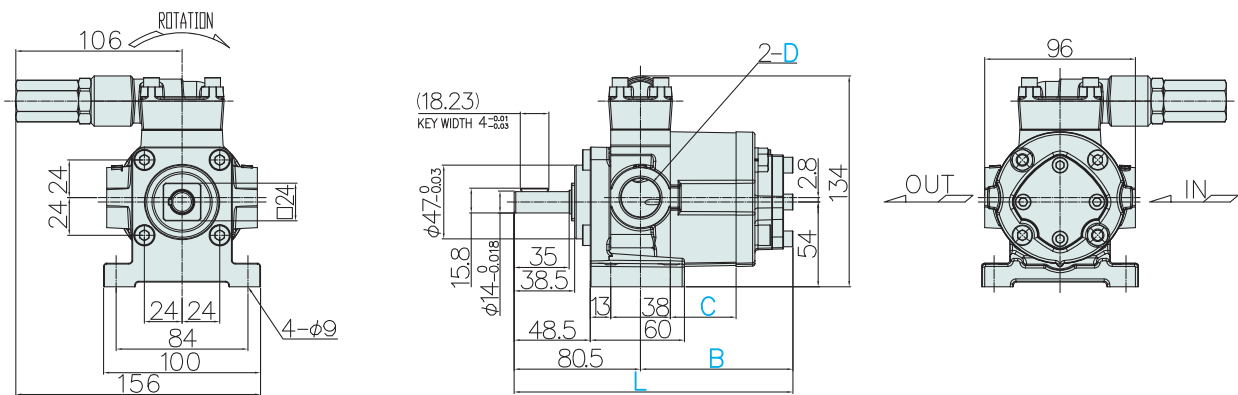
Please read the following page as well. ▶

## Dimensional diagrams / Reverse rotation (mm)

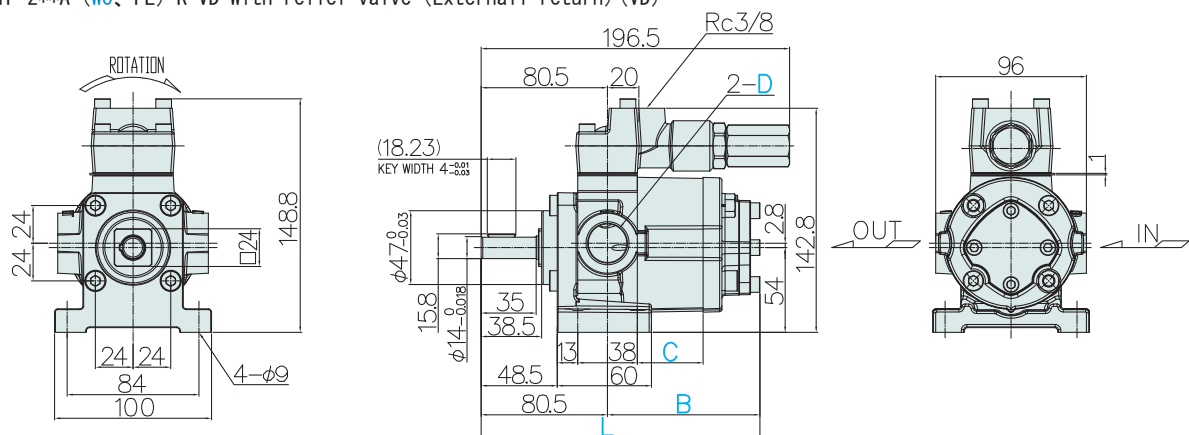
■ FTP-2\*\*A (WO, PL) R Without relief valve



■ FTP-2\*\*A (WO, PL) R-VB With relief valve (Internal-return) (VB)



■ FTP-2\*\*A (WO, PL) R-VD With relief valve (External-return) (VD)



■ Standard and WO/PL type ※Common Drawing

| Model          | L     | B    | C    | D         | Model          | L     | B     | C    | D         |
|----------------|-------|------|------|-----------|----------------|-------|-------|------|-----------|
| 204A (WO,PL) R | 145.7 | 65.2 | 10   | Rc<br>1/2 | 210A (WO,PL) R | 162.2 | 81.7  | 26.5 | Rc<br>3/4 |
| 206A (WO,PL) R | 150.7 | 70.2 | 15   |           | 212A (WO,PL) R | 167.4 | 86.9  | 31.7 |           |
| 208A (WO,PL) R | 157.0 | 76.5 | 21.3 |           | 216A (WO,PL) R | 177.6 | 97.1  | 41.9 |           |
|                |       |      |      |           | 220A (WO,PL) R | 187.7 | 107.2 | 52.0 |           |

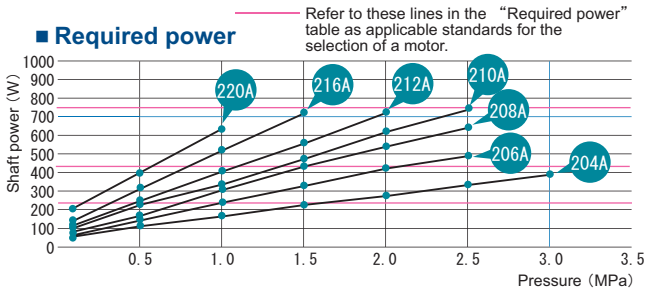
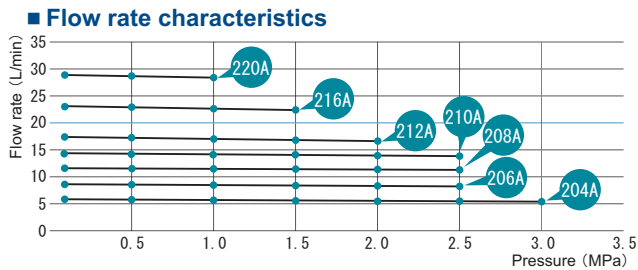
| Model        | Flow rate per. rev. (ml/rev) | Theoretical flow rate (L/min) |                       | Max. discharge pressure (MPa) | Max. revolution (min <sup>-1</sup> ) | Approx. weight Without valve/With valve (kg) |
|--------------|------------------------------|-------------------------------|-----------------------|-------------------------------|--------------------------------------|--|
|              |                              | 1500min <sup>-1</sup>         | 1800min <sup>-1</sup> |                               |                                      |  |
| 204A (VB,VD) | 4                            | 6.0                           | 7.2                   | 3.0                           | 3000                                 | 3.6/4.0                                      |
| 206A (VB,VD) | 6                            | 9.0                           | 10.8                  | 2.5                           | 2500                                 | 3.8/4.2                                      |
| 208A (VB,VD) | 8                            | 12.0                          | 14.4                  | 2.5                           | 2500                                 | 4.0/4.4                                      |
| 210A (VB,VD) | 10                           | 15.0                          | 18.0                  | 2.5                           | 2500                                 | 4.1/4.6                                      |
| 212A (VB,VD) | 12                           | 18.0                          | 21.6                  | 2.0                           | 2000                                 | 4.3/4.7                                      |
| 216A (VB,VD) | 16                           | 24.0                          | 28.8                  | 1.5                           | 1800                                 | 4.6/5.1                                      |
| 220A (VB,VD) | 20                           | 30.0                          | 36.0                  | 1.2                           | 1800                                 | 5.0/5.5                                      |

● The above max. discharge pressure and max. revolution are in combination with ISO-VG46 at 40°C. The rates vary depending on viscosity and temperature.

## Performance

● Test conditions Oil: ISO-VG46 Oil temp.: 40°C

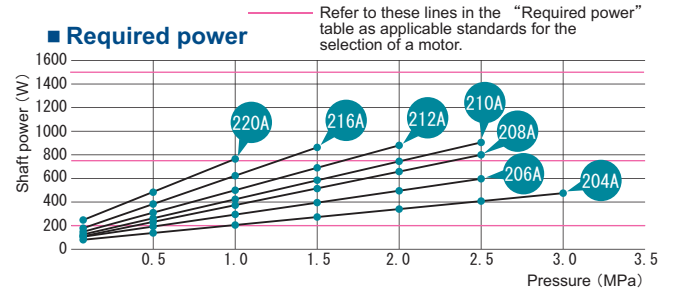
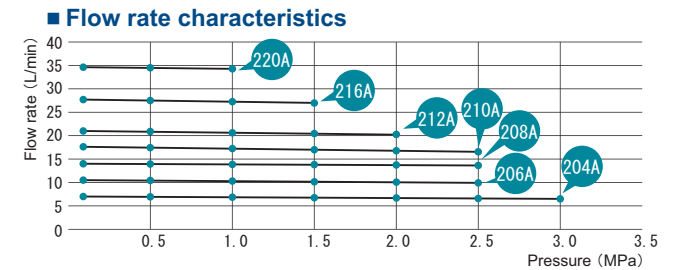
### At 1,450 rotations (50Hz)



| Spec Model | Flow rate (L/min) |      |      |      |      |      |     |     | Required power (W) |     |     |     |     |     |  |  |
|------------|-------------------|------|------|------|------|------|-----|-----|--------------------|-----|-----|-----|-----|-----|--|--|
|            | Pressure (MPa)    |      |      |      |      |      |     |     | Pressure (MPa)     |     |     |     |     |     |  |  |
|            | 0.1               | 0.5  | 1.0  | 1.5  | 2.0  | 2.5  | 3.0 | 0.1 | 0.5                | 1.0 | 1.5 | 2.0 | 2.5 | 3.0 |  |  |
| 204A       | 5.8               | 5.7  | 5.6  | 5.6  | 5.5  | 5.4  | 5.3 | 66  | 110                | 169 | 227 | 283 | 340 | 394 |  |  |
| 206A       | 8.7               | 8.6  | 8.5  | 8.4  | 8.3  | 8.2  | —   | 86  | 158                | 240 | 329 | 415 | 497 | —   |  |  |
| 208A       | 11.6              | 11.5 | 11.5 | 11.4 | 11.4 | 11.3 | —   | 91  | 186                | 305 | 423 | 543 | 662 | —   |  |  |
| 210A       | 14.4              | 14.4 | 14.3 | 14.0 | 13.9 | 13.8 | —   | 104 | 210                | 345 | 480 | 615 | 749 | —   |  |  |
| 212A       | 17.4              | 17.2 | 17.0 | 16.8 | 16.6 | —    | —   | 123 | 250                | 405 | 565 | 730 | —   | —   |  |  |
| 216A       | 23.1              | 22.9 | 22.8 | 22.4 | —    | —    | —   | 148 | 308                | 510 | 715 | —   | —   | —   |  |  |
| 220A       | 28.9              | 28.7 | 28.4 | —    | —    | —    | —   | 205 | 396                | 633 | —   | —   | —   | —   |  |  |

○ The required power varies depending on viscosity, temp. etc.

### At 1,750 rotations (60Hz)



| Spec Model | Flow rate (L/min) |      |      |      |      |      |     |     | Required power (W) |     |     |     |     |     |  |  |
|------------|-------------------|------|------|------|------|------|-----|-----|--------------------|-----|-----|-----|-----|-----|--|--|
|            | Pressure (MPa)    |      |      |      |      |      |     |     | Pressure (MPa)     |     |     |     |     |     |  |  |
|            | 0.1               | 0.5  | 1.0  | 1.5  | 2.0  | 2.5  | 3.0 | 0.1 | 0.5                | 1.0 | 1.5 | 2.0 | 2.5 | 3.0 |  |  |
| 204A       | 7.0               | 6.9  | 6.8  | 6.7  | 6.7  | 6.6  | 6.5 | 80  | 133                | 204 | 274 | 342 | 410 | 476 |  |  |
| 206A       | 10.4              | 10.3 | 10.2 | 10.1 | 10.0 | 9.9  | —   | 104 | 188                | 290 | 397 | 500 | 599 | —   |  |  |
| 208A       | 14.0              | 13.9 | 13.8 | 13.8 | 13.8 | 13.7 | —   | 110 | 225                | 368 | 510 | 655 | 800 | —   |  |  |
| 210A       | 17.6              | 17.5 | 17.2 | 17.0 | 16.9 | 16.7 | —   | 125 | 250                | 413 | 575 | 740 | 904 | —   |  |  |
| 212A       | 21.0              | 20.9 | 20.6 | 20.4 | 20.2 | —    | —   | 148 | 302                | 488 | 681 | 881 | —   | —   |  |  |
| 216A       | 27.8              | 27.7 | 27.4 | 27.0 | —    | —    | —   | 179 | 372                | 616 | 863 | —   | —   | —   |  |  |
| 220A       | 34.8              | 34.6 | 34.3 | —    | —    | —    | —   | 248 | 478                | 764 | —   | —   | —   | —   |  |  |



## Tip 2

### Risk to pump operation

Foreign particles are a hazard to all kinds of pump. Foreign particles can cause problems, not only to displacement pumps such as FTP which function by differential pressures through its rotation, but also dynamic pumps discharging liquid by giving a direction to liquid. Although the WO type FTP pumps can withstand foreign particles better than others, it is always essential to use a filter to prevent particles from entering into a pump.



# 2AWO

## Pump (Bunker oil , Coolant)

Medium Capacity / Medium pressure

Special PTFE (Teflon (R)) seals are used to isolate bearings from liquid so that partial wear of the bearings is minimized. Thus, the 2AWO is able to reach a long product life even with spray of waste oil or coolant liquid with slurry.

The 2AWO can take up to the temperature of 150°C. In case that it is required to handle a temperature higher than 150°C is required, please consult with Fuji Techno.

A suction pressure can be as high as the max. discharge pressure in the 2AWO.

In the meantime, please note that 120°C is the max. temperature of the motor pump 2MY or 2Y. If the motor is dedicatly running 24 hours, please use at 80°C or less.



### Spec

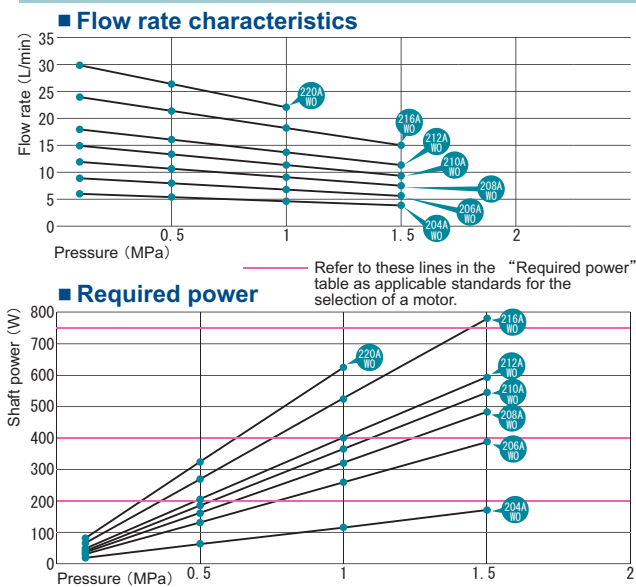
| Model          | Theoretical discharge (ml/rev) | Theoretical flow rate (L/min) |                       | Max. discharge pressure (MPa) | Max. revolution (min <sup>-1</sup> ) | Approx. weight Without valve/With valve (kg) |
|----------------|--------------------------------|-------------------------------|-----------------------|-------------------------------|--------------------------------------|--|
|                |                                | 1500min <sup>-1</sup>         | 1800min <sup>-1</sup> |                               |                                      |  |
| 204AWO (VB,VD) | 4                              | 6.0                           | 7.2                   | 1.5                           | 1800                                 | 3.6/4.0                                      |
| 206AWO (VB,VD) | 6                              | 9.0                           | 10.8                  | 1.5                           | 1800                                 | 3.8/4.2                                      |
| 208AWO (VB,VD) | 8                              | 12.0                          | 14.4                  | 1.5                           | 1800                                 | 4.0/4.4                                      |
| 210AWO (VB,VD) | 10                             | 15.0                          | 18.0                  | 1.5                           | 1800                                 | 4.1/4.6                                      |
| 212AWO (VB,VD) | 12                             | 18.0                          | 21.6                  | 1.5                           | 1800                                 | 4.3/4.7                                      |
| 216AWO (VB,VD) | 16                             | 24.0                          | 28.8                  | 1.5                           | 1800                                 | 4.6/5.1                                      |
| 220AWO (VB,VD) | 20                             | 30.0                          | 36.0                  | 1.2                           | 1800                                 | 5.0/5.5                                      |

- The above max. discharge pressure and the max. revolution are in combination with ISO-VG2 at 40°C. When ISO-VG46 is used at 40°C, the max. discharge pressure and the max. revolution are the same as that of the standard version. (See page 14)
- In the event that abrasive liquid like kerosene oil is used, a discharge pressure must be 0.7MPa or less.

### Performance

● Test conditions Oil:ISO-VG2 Oil temp.:40°C

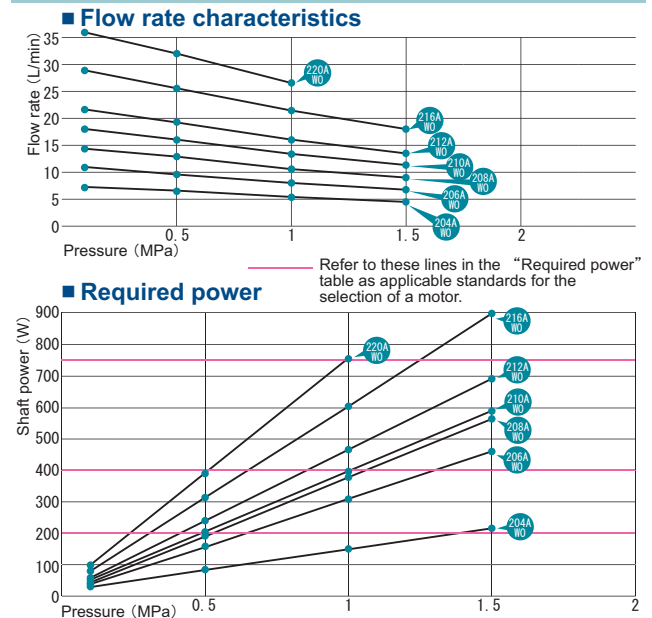
#### At 1,450 rotations (50Hz)



| Spec<br>Model | Flow rate (L/min)<br>Pressure (MPa) |      |      |      | Required power (W)<br>Pressure (MPa) |     |     |     |
|---------------|-------------------------------------|------|------|------|--------------------------------------|-----|-----|-----|
|               | 0.1                                 | 0.5  | 1    | 1.5  | 0.1                                  | 0.5 | 1   | 1.5 |
| 204AWO        | 6.0                                 | 5.3  | 4.4  | 3.8  | 20                                   | 63  | 117 | 171 |
| 206AWO        | 8.9                                 | 8.0  | 6.6  | 5.6  | 30                                   | 132 | 260 | 387 |
| 208AWO        | 11.9                                | 10.6 | 8.8  | 7.5  | 34                                   | 162 | 323 | 483 |
| 210AWO        | 14.9                                | 13.3 | 11.0 | 9.4  | 41                                   | 185 | 366 | 547 |
| 212AWO        | 17.9                                | 15.9 | 13.2 | 11.3 | 49                                   | 205 | 401 | 596 |
| 216AWO        | 23.9                                | 21.2 | 17.6 | 15   | 66                                   | 269 | 524 | 778 |
| 220AWO        | 29.8                                | 26.5 | 22.0 | —    | 82                                   | 324 | 627 | —   |

- The required power varies depending on viscosity temp. etc.

#### At 1,750 rotations (60Hz)



| Spec<br>Model | Flow rate (L/min)<br>Pressure (MPa) |      |      |      | Required power (W)<br>Pressure (MPa) |     |     |     |
|---------------|-------------------------------------|------|------|------|--------------------------------------|-----|-----|-----|
|               | 0.1                                 | 0.5  | 1    | 1.5  | 0.1                                  | 0.5 | 1   | 1.5 |
| 204AWO        | 7.2                                 | 6.4  | 5.3  | 4.5  | 30                                   | 84  | 150 | 217 |
| 206AWO        | 10.8                                | 9.6  | 8.0  | 6.8  | 37                                   | 158 | 309 | 460 |
| 208AWO        | 14.4                                | 12.8 | 10.6 | 9    | 42                                   | 192 | 378 | 565 |
| 210AWO        | 18.0                                | 16.0 | 13.3 | 11.3 | 51                                   | 205 | 397 | 590 |
| 212AWO        | 21.6                                | 19.2 | 16.0 | 13.5 | 58                                   | 240 | 466 | 693 |
| 216AWO        | 28.8                                | 25.6 | 21.3 | 18   | 80                                   | 314 | 605 | 897 |
| 220AWO        | 36.0                                | 32.0 | 26.6 | —    | 99                                   | 390 | 754 | —   |



# 2APL

## Pump

(Liquid seal to cut off outside air)

Medium Capacity / Medium pressure

By using special PTFE (Teflon (R)) seals to contain liquid between the seals, the liquid is prevented from contacting open air. The 2APL is ideal to transfer air reactive chemicals such as isocyanate.

The max. temperature the 2APL can handle is 120°C.

The max. temperature of the motor pump version is 120°C as well. If a temperature higher than 120°C is required, please contact Fuji Techno for consultation.

Because of the use of the seals, a suction pressure can be up to the max. discharge pressure in the 2APL.

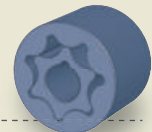
If the motor is dedicatedly running 24 hours, please use at 80°C or less.

## 仕様

| Model          | Theoretical discharge (ml/rev) | Theoretical flow rate (L/min) |                       | Max. discharge pressure (MPa) | Max. revolution (min <sup>-1</sup> ) | Approx. weight Without valve/With valve (kg) |
|----------------|--------------------------------|-------------------------------|-----------------------|-------------------------------|--------------------------------------|--|
|                |                                | 1500min <sup>-1</sup>         | 1800min <sup>-1</sup> |                               |                                      |  |
| 204APL (VB,VD) | 4                              | 6.0                           | 7.2                   | 1.5                           | 1800                                 | 3.6/4.0                                      |
| 206APL (VB,VD) | 6                              | 9.0                           | 10.8                  | 1.2                           | 1800                                 | 3.8/4.2                                      |
| 208APL (VB,VD) | 8                              | 12.0                          | 14.4                  | 1.2                           | 1800                                 | 4.0/4.4                                      |
| 210APL (VB,VD) | 10                             | 15.0                          | 18.0                  | 1.2                           | 1800                                 | 4.1/4.6                                      |
| 212APL (VB,VD) | 12                             | 18.0                          | 21.6                  | 1.0                           | 1800                                 | 4.3/4.7                                      |
| 216APL (VB,VD) | 16                             | 24.0                          | 28.8                  | 0.7                           | 1800                                 | 4.6/5.1                                      |
| 220APL (VB,VD) | 20                             | 30.0                          | 36.0                  | 0.6                           | 1800                                 | 5.0/5.5                                      |

- The above max. discharge pressure and max. revolution are in combination with ISO-VG46 at 40°C. The rates vary depending on viscosity and temperature.
- In the event that abrasive liquid like kerosene oil is used, a discharge pressure must be 0.7MPa or less.

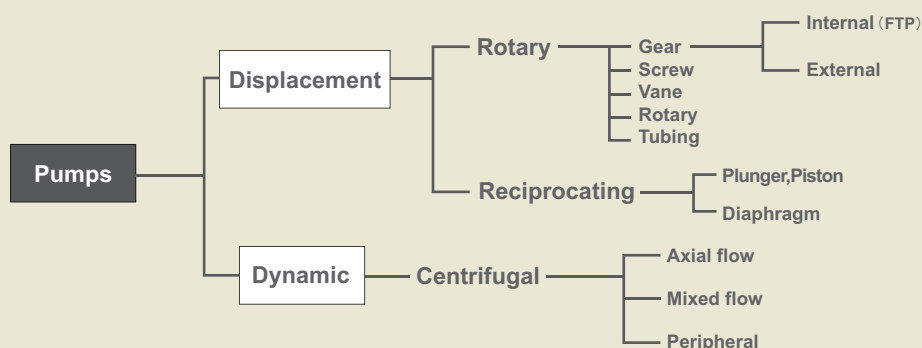
## ポンプのメモ③ —ポンプの種類—



There are many different types of pumps. A heart is also a pump, familiar to everyone. A piston pump to draw water from a well has been a common type of pump for many years. Pumps are used to transfer not only liquid but also gas and solids.

Pumps are categorized into dynamic and displacement types. In FTP pumps, the gap between the inner rotor and the outer rotor changes as it rotates. When the gap gets larger, a pressure differential occurs between an atmospheric pressure on liquid and a pressure in the gap. Consequently, the gap fills with liquid. As the FTP pump continues to rotate, liquid is discharged.

A displacement pump transfers liquid by changing a space inside like on a FTP type. A rotary type displacement pump changes the internal space by rotation. An internal gear pump is a pump where the gears are mounted on the inner rotor and make contact with the outer rotor.



# 2ME-S

## Motor Pump (Single-phase motor integrated model)

Medium Capacity / Medium pressure

The 2MY-S consists of the 2A pump and a dedicated motor and has a small footprint.  
The ultra high temperature version (VH, max. temp. 150°C) is available.



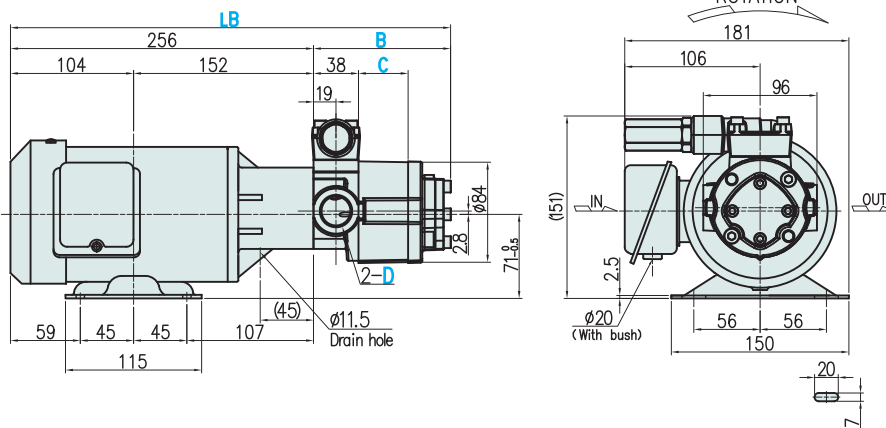
### Model

| FTP-2ME | Motor output | Model No. | Applications       | Rotation direction    | Seal material   | Relief valve       | Relief valve set pressure                |
|---------|--------------|-----------|--------------------|-----------------------|---|--------------------|--|
|         | □ S          | □ A □ M   |                    | □                     | □   | □                  | □  |
|         | 200          | 204       | No mark ; Standard | No mark ; Clockwise   | No mark ;   | No mark ; No valve | ex.                                      |
|         | 400          | 206       | WO : Bunker oil,   | R : Counter clockwise | Standard (-5~40°C)  | VB : With valve    | 0.1 : Set pressure 0.1MPa (Spring No.1L) |
|         | 750          | 208       | Coolant Water      |                       | VF : Viton (R) for high temp.                                   | (Internal-return)  | 0.5 : Set pressure 0.5MPa (Spring No.2L) |
|         |              | 210       | PL : Liquid seal   |                       | (120°C, 24hours continuous                                      | VD : With valve    | 1.0 : Set pressure 1.0MPa (Spring No.3L) |
|         |              | 212       |                    |                       | in case of 80°C)  | (External-return)  | 2.0 : Set pressure 2.0MPa (Spring No.4L) |
|         |              | 216       |                    |                       | VH : Ultrahigh temp.  |                    |  |
|         |              | 220       |                    |                       | (150°C, In case of continuous runing use base coupling)         |                    |  |
|         |              |           |                    |                       | ※ High temp specification (VH, 150°C) Please contact to company |                    |  |

Model examples : FTP-2ME200S-204AM-VB1.0 (200W, single-phase, with relief valve (set pressure 1.0MPa) )  
FTP-2ME400S-210AMR (400W, single-phase, counter-clockwise as seen from the pump side)  
FTP-2ME750S-216AM-VD (750W, single-phase, with relief valve (external-return) )

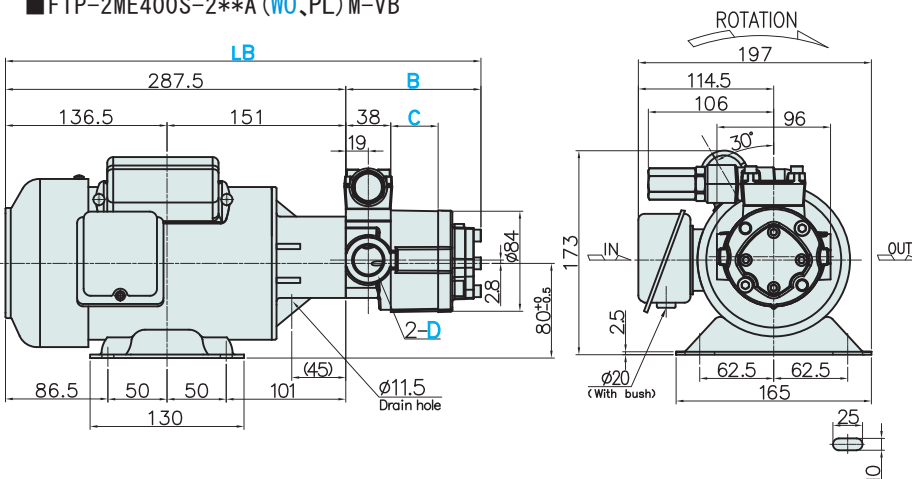
### Dimensional diagrams (mm)

■ FTP-2ME200S-2\*\*A (WO, PL) M-VB



| Model         | LB    | B     | C    | D     |
|---------------|-------|-------|------|-------|
| 204A(WO, PL)M | 340.2 | 84.2  | 10   | Rc1/2 |
| 206A(WO, PL)M | 345.2 | 89.2  | 15   |       |
| 208A(WO, PL)M | 351.5 | 95.5  | 21.3 |       |
| 210A(WO, PL)M | 356.7 | 100.7 | 26.5 | Rc3/4 |
| 212A(WO, PL)M | 361.9 | 105.9 | 31.7 |       |
| 216A(WO, PL)M | 372.1 | 116.1 | 41.9 |       |

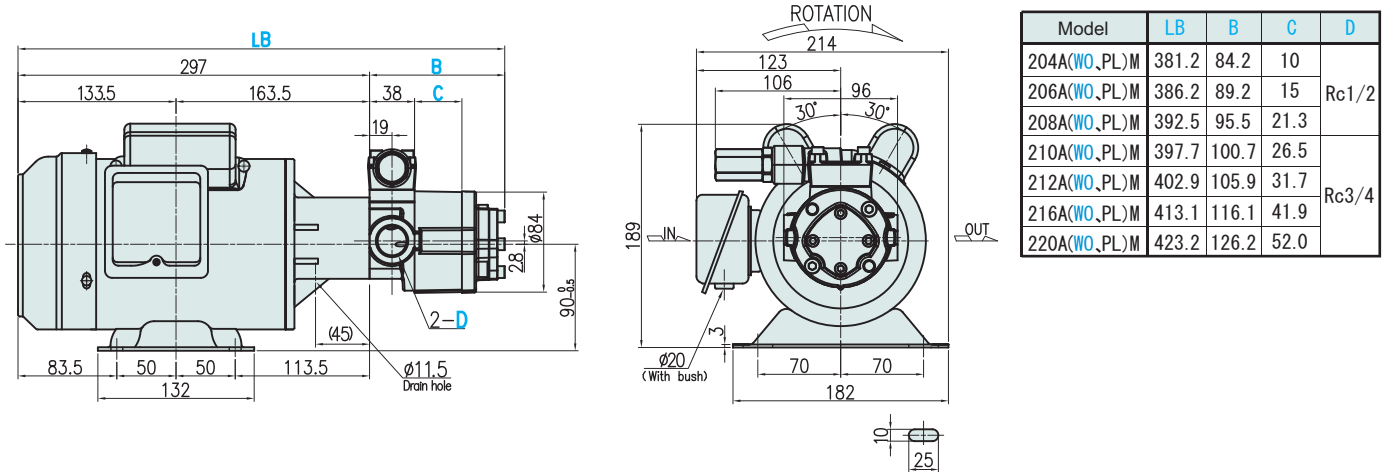
■ FTP-2ME400S-2\*\*A (WO, PL) M-VB



| Model         | LB    | B     | C    | D     |
|---------------|-------|-------|------|-------|
| 204A(WO, PL)M | 371.7 | 84.2  | 10   | Rc1/2 |
| 206A(WO, PL)M | 376.7 | 89.2  | 15   |       |
| 208A(WO, PL)M | 383.0 | 95.5  | 21.3 |       |
| 210A(WO, PL)M | 388.2 | 100.7 | 26.5 | Rc3/4 |
| 212A(WO, PL)M | 393.4 | 105.9 | 31.7 |       |
| 216A(WO, PL)M | 403.6 | 116.1 | 41.9 |       |
| 220A(WO, PL)M | 413.7 | 126.2 | 52.0 |       |

## Dimensional diagrams (mm)

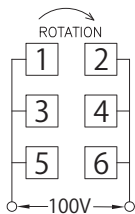
### ■ FTP-2ME750S-2\*\*A (WO, PL) M-VB



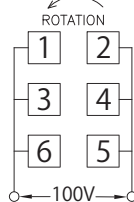
## Wiring diagram

### ■ 100V (LOW VOLTAGE)

Clockwise as seen from pump side

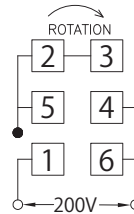


Counter-clockwise as seen from pump side

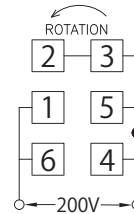


### ■ 200V (HIGH VOLTAGE)

Clockwise as seen from pump side



Counter-clockwise as seen from pump side



## Spec

| Model         | No. of motor revolutions 50Hz 1500min <sup>-1</sup> |   |      |      | No. of motor revolutions 60Hz 1800min <sup>-1</sup> |   |      |      |
|---------------|---|---|------|------|---|---|------|------|
|               | Theoretical flow rate (L/min)                       | Max. discharge pressure to motor output (MPa) |      |      | Theoretical flow rate (L/min)                       | Max. discharge pressure to motor output (MPa) |      |      |
|               |   | 200W  | 400W | 750W |   | 200W  | 400W | 750W |
| 204AM (VB,VD) | 6.0   | 1.2   | 3.0  | 3.0  | 7.2   | 0.9   | 2.3  | 3.0  |
| 206AM (VB,VD) | 9.0   | 0.7   | 1.8  | 2.5  | 10.8  | 0.5   | 1.4  | 2.5  |
| 208AM (VB,VD) | 12.0  | 0.5   | 1.3  | 2.5  | 14.4  | 0.3   | 1.0  | 2.3  |
| 210AM (VB,VD) | 15.0  | 0.4   | 1.1  | 2.5  | 18.0  | 0.3   | 0.9  | 2.0  |
| 212AM (VB,VD) | 18.0  | 0.3   | 0.9  | 2.0  | 21.6  | —   | 0.7  | 1.6  |
| 216AM (VB,VD) | 24.0  | 0.2   | 0.7  | 1.5  | 28.8  | —   | 0.5  | 1.2  |
| 220AM (VB,VD) | 30.0  | —   | 0.4  | 1.2  | 36.0  | —   | 0.3  | 0.9  |

● The above max. discharge pressures are in combination with ISO-VG46 at 40°C. The max. pressures may be lower depending on viscosity and temperature. Note that for liquids with a higher viscosity than IEO-VG46 at 40°C, the motor power may be insufficient. Lower viscosity liquids limit the pumps maximum discharge pressure. For handling higher viscosity (>46 mm<sup>2</sup>/s), The motor capacity has to be increased by 1 or 2 levels. For use of lower viscosity (<10 mm<sup>2</sup>/s), please refer to the spec. of 2AWO (page 15).

## Motor spec

| Power (W) | Pole (P) | Rating | Voltage (V) | Frequency (Hz) | Revolutions (min <sup>-1</sup> ) | Current (A) | Approx. Weight (kg) |
|-----------|----------|--------|-------------|----------------|----------------------------------|-------------|---------------------|
| 200       | 4        | S1     | 100         | 50             | 1400                             | 4.0         | 8                   |
|           |          |        |             | 60             | 1700                             | 3.2         |                     |
| 400       | 4        | S1     | 100         | 50             | 1400                             | 2.1         | 11                  |
|           |          |        |             | 60             | 1700                             | 1.8         |                     |
| 750       | 4        | S1     | 100         | 50             | 1420                             | 9.5         | 14                  |
|           |          |        |             | 60             | 1720                             | 8.5         |                     |
| 750       | 4        | S1     | 200         | 50             | 1420                             | 4.8         | 14                  |
|           |          |        |             | 60             | 1720                             | 4.3         |                     |
| 750       | 4        | S1     | 200         | 50             | 1420                             | 11.8        | 14                  |
|           |          |        |             | 60             | 1720                             | 10.3        |                     |
| 750       | 4        | S1     | 200         | 50             | 1420                             | 6.0         | 14                  |
|           |          |        |             | 60             | 1720                             | 5.2         |                     |

● Single-phase induction motor ● Insulation class B ● IP44

Contact

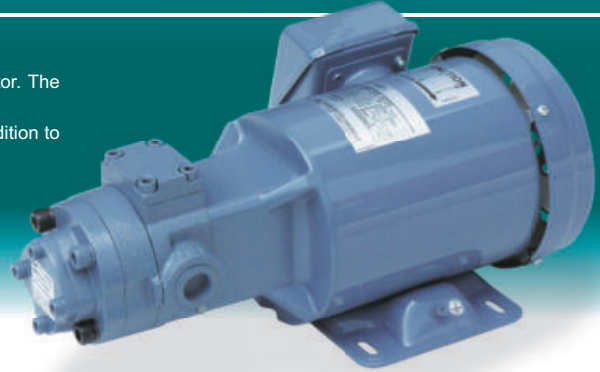
TEL 072-858-5251 FAX 072-858-5238 Mail info@fuji-techno.co.jp

# 2Y

## Motor Pump (3 phase motor integrated model)

Medium Capacity / Medium pressure

The compact 2MY is the combination of the 2A pump and a dedicated motor. The standard spec. of the motor is 3 phase and 200V. There is the ultra high temperature version (VH, max. temp. 150°C) in addition to the VF version.



### Model

| FTP-2Y | Motor output | Motor standard        | Model No. | Applications                   | Rotation direction                       | Seal material   | Relief valve                      | Relief valve set pressure                |
|--------|--------------|-----------------------|-----------|--------------------------------|--|---|-----------------------------------|--|
|        | 200          | No mark : IE1         | 204       | No mark : Standard             | ☐  | No mark :   | ☐                                 | No mark : No valve ex.                   |
|        | 400          | EA : 200V class (IE3) | 206       | WO : Bunker oil, Coolant Water | ☐  | Standard (-5~40°C)  | VB : With valve (Internal-return) | 0.1 : Set pressure 0.1MPa (Spring No.1L) |
|        | 700          |                       | 208       |                                | ☐  | VF : Viton (R) for high temp. (120°C, 24hours continuous in case of 80°C)     | VD : With valve (External-return) | 0.5 : Set pressure 0.5MPa (Spring No.2L) |
|        | 750          | EB : 400V class (IE3) | 210       | PL : Liquid seal               | R : reverse rotation (Counter clockwise) | VH : Ultrahigh temp. (150°C, In case of continuous running use base coupling) |                                   | 1.0 : Set pressure 1.0MPa (Spring No.3L) |
|        | 1500         |                       | 212       |                                |  |   |                                   | 2.0 : Set pressure 2.0MPa (Spring No.4L) |
|        |              |                       | 216       |                                |  |   |                                   |  |
|        |              |                       | 220       |                                |  |   |                                   |  |

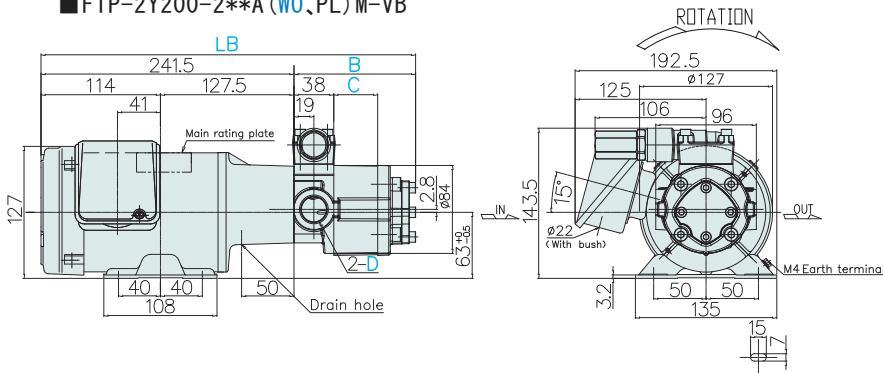
※look form pump side  
No mark : standard (Clockwise)  
R : reverse rotation (Counter clockwise)

※ High temp specification (VH, 150°C) Please contact to company

Model examples : FTP-2Y200-204AM-VB1.0 (200W, 3 phase, with relief valve (set pressure 1.0MPa) )  
FTP-2Y400-210AMR (400W, 3 phase, counter-clockwise as seen from the pump side)  
FTP-2Y750-EA-216AM-VD (750W, 200V, IE3, 3 phase, with relief valve (external-return) )

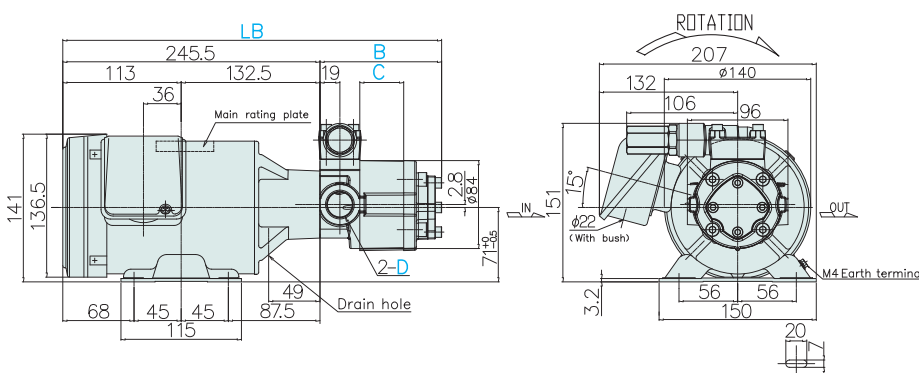
### Dimensional diagrams (mm)

■ FTP-2Y200-2\*\*A (WO, PL) M-VB



| Model        | LB    | B     | C    | D     |
|--------------|-------|-------|------|-------|
| 204A(WO,PL)M | 325.7 | 84.2  | 10   | Rc1/2 |
| 206A(WO,PL)M | 330.7 | 89.2  | 15   |       |
| 208A(WO,PL)M | 337.0 | 95.5  | 21.3 |       |
| 210A(WO,PL)M | 342.2 | 100.7 | 26.5 | Rc3/4 |
| 212A(WO,PL)M | 347.4 | 105.9 | 31.7 |       |
| 216A(WO,PL)M | 357.6 | 116.1 | 41.9 |       |

■ FTP-2Y400-2\*\*A (WO, PL) M-VB

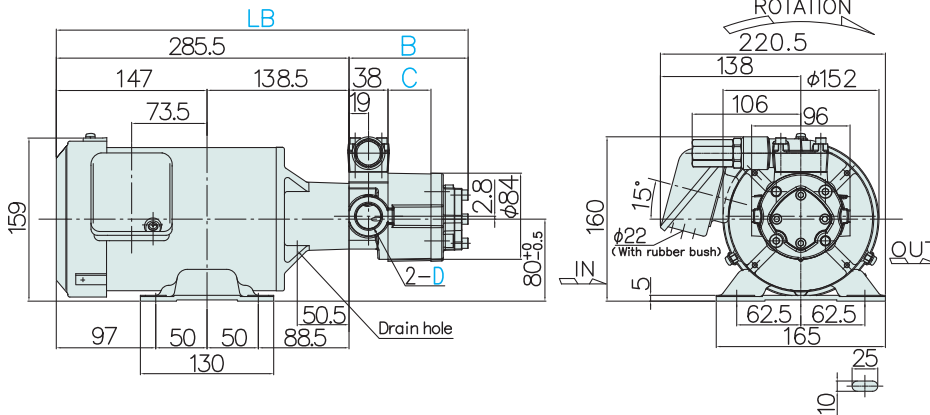


| Model        | LB    | B     | C    | D     |
|--------------|-------|-------|------|-------|
| 204A(WO,PL)M | 329.7 | 84.2  | 10   | Rc1/2 |
| 206A(WO,PL)M | 334.7 | 89.2  | 15   |       |
| 208A(WO,PL)M | 341.0 | 95.5  | 21.3 |       |
| 210A(WO,PL)M | 346.2 | 100.7 | 26.5 | Rc3/4 |
| 212A(WO,PL)M | 351.4 | 105.9 | 31.7 |       |
| 216A(WO,PL)M | 361.6 | 116.1 | 41.9 |       |
| 220A(WO,PL)M | 371.7 | 126.2 | 52.0 |       |



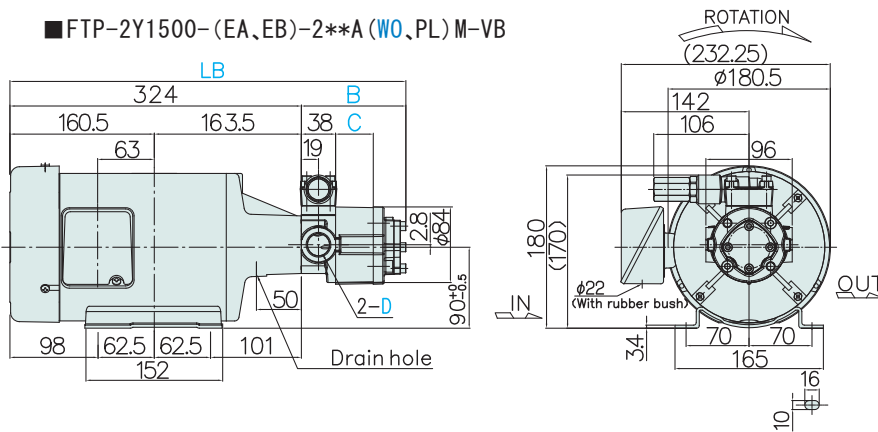
## Dimensional diagrams (mm)

### ■ FTP-2Y750-(EA,EB)-2\*\*A(WO,PL)M-VB



| Model        | LB    | B     | C    | D     |
|--------------|-------|-------|------|-------|
| 204A(WO,PL)M | 369.7 | 84.2  | 10   | Rc1/2 |
| 206A(WO,PL)M | 374.7 | 89.2  | 15   |       |
| 208A(WO,PL)M | 381.0 | 95.5  | 21.3 |       |
| 210A(WO,PL)M | 386.2 | 100.7 | 26.5 | Rc3/4 |
| 212A(WO,PL)M | 391.4 | 105.9 | 31.7 |       |
| 216A(WO,PL)M | 401.6 | 116.1 | 41.9 |       |
| 220A(WO,PL)M | 411.7 | 126.2 | 52.0 |       |

### ■ FTP-2Y1500-(EA,EB)-2\*\*A(WO,PL)M-VB



| Model        | LB    | B     | C    | D     |
|--------------|-------|-------|------|-------|
| 204A(WO,PL)M | 408.2 | 84.2  | 10   | Rc1/2 |
| 206A(WO,PL)M | 413.2 | 89.2  | 15   |       |
| 208A(WO,PL)M | 419.5 | 95.5  | 21.3 |       |
| 210A(WO,PL)M | 424.7 | 100.7 | 26.5 | Rc3/4 |
| 212A(WO,PL)M | 429.9 | 105.9 | 31.7 |       |
| 216A(WO,PL)M | 440.1 | 116.1 | 41.9 |       |
| 220A(WO,PL)M | 450.2 | 126.2 | 52.0 |       |

## Spec

| Model        | No. of motor revolutions 50Hz 1500min <sup>-1</sup> |   |      |      |       | No. of motor revolutions 60Hz 1800min <sup>-1</sup> |   |      |      |       |
|--------------|---|---|------|------|-------|---|---|------|------|-------|
|              | Theoretical flow rate (L/min)                       | Max. discharge pressure to motor output (MPa) |      |      |       | Theoretical flow rate (L/min)                       | Max. discharge pressure to motor output (MPa) |      |      |       |
|              |   | 200W  | 400W | 750W | 1500W |   | 200W  | 400W | 750W | 1500W |
| 204AM(VB,VD) | 6.0   | 1.2   | 3.0  | 3.0  | 3.0   | 7.2   | 0.9   | 2.3  | 3.0  | 3.0   |
| 206AM(VB,VD) | 9.0   | 0.7   | 1.8  | 2.5  | 2.5   | 10.8  | 0.5   | 1.4  | 2.5  | 2.5   |
| 208AM(VB,VD) | 12.0  | 0.5   | 1.3  | 2.5  | 2.5   | 14.4  | 0.3   | 1.0  | 2.3  | 2.5   |
| 210AM(VB,VD) | 15.0  | 0.4   | 1.1  | 2.5  | 2.5   | 18.0  | 0.3   | 0.9  | 2.0  | 2.5   |
| 212AM(VB,VD) | 18.0  | 0.3   | 0.9  | 2.0  | 2.0   | 21.6  | —   | 0.7  | 1.6  | 2.0   |
| 216AM(VB,VD) | 24.0  | 0.2   | 0.7  | 1.5  | 1.5   | 28.8  | —   | 0.5  | 1.2  | 1.5   |
| 220AM(VB,VD) | 30.0  | —   | 0.4  | 1.2  | 1.2   | 36.0  | —   | 0.3  | 0.9  | 1.2   |

● The above max. discharge pressures are in combination with ISO-VG46 at 40°C. The max. pressures may be lower depending on viscosity and temperature. Note that for liquids with a higher viscosity than IEO-VG46 at 40°C, the motor power may be insufficient. Lower viscosity liquids limit the pumps maximum discharge pressure. For handling higher viscosity (>46 mm<sup>2</sup>/s), The motor capacity has to be increased by 1 or 2 levels. For use of lower viscosity (<10 mm<sup>2</sup>/s), please refer to the spec. of 2Y-2AWO M (page 24).

## Motor spec

| Power (W) | Pole (P) | Rating | Voltage (V) | Frequency (Hz) | Revolutions (min <sup>-1</sup> ) | Current (A)    | Approx. weight (kg) |
|-----------|----------|--------|-------------|----------------|----------------------------------|----------------|---------------------|
| 200       | 4        | CONT   | 200/200/220 | 50/60/60       | 1440/1720/1730                   | 1.34/1.12/1.17 | 6.5                 |
| 400       | 4        | CONT   | 200/200/220 | 50/60/60       | 1420/1710/1720                   | 2.2/1.90/1.91  | 9                   |
| 750       | 4        | CONT   | 200/200/220 | 50/60/60       | 1440/1720/1740                   | 3.3/3.1/3.0    | 14                  |
| 1500      | 4        | CONT   | 200/200/220 | 50/60/60       | 1450/1740/1750                   | 6.9/6.2/6.0    | 22                  |

● Squirrel-cage induction motor ● Insulation class E (750/1500F) ● Totally-enclosed and fan cooled type ● IP44  
 ※380V/50Hz, 400V/50·60Hz, 440V/60Hz are semi-standard versions. ((IE3) 400V/50·60Hz, 440V/60Hz)

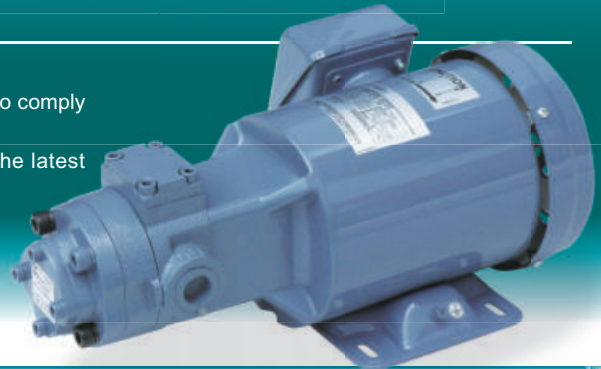
# 2Y

## Motor Pump

Standards (CCC, GB3, CE, IE3)

Medium Capacity / Medium pressure

In case of the exportation of the pump with the motor, it is necessary to comply with concerned standard of a country, to which the pump is exported. Fuji Techno has set up a system to supply motors complying with the latest standards. It is required to meet the IE3 standard in Japan starting 2015.



### Model

| Motor output                    | Standard                 | Model No.   | Applications             | Rotation direction       | Seal material                        | Relief valve             | Relief valve set pressure                |
|---------------------------------|--------------------------|---|--------------------------|--------------------------|--------------------------------------|--------------------------|--|
| FTP-2Y <input type="checkbox"/> | <input type="checkbox"/> | <input type="checkbox"/> A <input type="checkbox"/> M | <input type="checkbox"/> | <input type="checkbox"/> | <input type="checkbox"/>             | <input type="checkbox"/> | <input type="checkbox"/>                 |
| 200                             | No mark : Standard       | 204   | No mark : Standard       | No mark : Clockwise      | No mark :                            | No mark : No valve       | ex.                                      |
| 400                             | A : 200V class           | 206   | WO : Bunker oil,         | R : Counter clockwise    | Standard (-5~40°C)                   | VB : With valve          | 0.1 : Set Pressure 0.1MPa (Spring No.1L) |
| 700                             | (200, 400/CCC            | 208   | Coolant Water            |                          | VF:Viton (R) for high temp. (120°C)  | (Internal-return)        | 0.5 : Set Pressure 0.5MPa (Spring No.2L) |
| 750                             | 750/CCC, GB3             | 210   | PL : Liquid seal         |                          | VH:Ultrahigh temp.                   | VD : With valve          | 1.0 : Set Pressure 1.0MPa (Spring No.3L) |
| 1500                            | 1500/GB3                 | 212   |                          |                          | (150°C, Incase of countinous         | (External-return)        | 2.0 : Set Pressure 2.0MPa (Spring No.4L) |
|                                 | B : 380V class           | 216   |                          |                          | runing use base coupling)            |                          |  |
|                                 | (200, 400/CCC            | 220   |                          |                          | ※ High temp specification (VH+150°C) |                          |  |
|                                 | 750/CCC, GB3             |   |                          |                          | Please contact to company            |                          |  |
|                                 | 1500/GB3                 |   |                          |                          |                                      |                          |  |
|                                 | CA : 200V class          |   |                          |                          |                                      |                          |  |
|                                 | (EN standard)            |   |                          |                          |                                      |                          |  |
|                                 | CB : 400V class          |   |                          |                          |                                      |                          |  |
|                                 | (EN standard)            |   |                          |                          |                                      |                          |  |
|                                 | EAC : 400V class         |   |                          |                          |                                      |                          |  |
|                                 | (EN standard+IE3)        |   |                          |                          |                                      |                          |  |
|                                 | EBC : 400V class         |   |                          |                          |                                      |                          |  |
|                                 | (EN standard+IE3)        |   |                          |                          |                                      |                          |  |

Model examples : FTP-2MY750-B-204AM (750W, 3 phase, 380V/50Hz, CCC certified, GB3)

※ Special versions such is outdoor type are described in the following.

### Dimension, pump spec., motor spec.

- ※ All numbers are the same as for the standard version.
- ※ The protective structure compliance to CCC, GB3 and EN (CE) are IP54 and the insulation class is B.

### Standard



In order to use motors with 1.1kW or less in China, the motors have to be CCC certified. Also motors with 750W or higher must have GB3 to be used in China.

## GB3

GB3 is equivalent to IE2 of IEC.



Only motors, which meet EN standard and have CE marks attached, can be used in member nations of EU.

### Compliance to standards

|                   | U.S.A./Canada  | Korea  | Australia  | E U                 | China  | Japan               |
|-------------------|--|--|--|---------------------|--|---------------------|
| Required standard | 1HP~200HP<br>(0.75kW~150kW)<br>IE3   | 0.75kW~37kW<br>IE2   | 0.73kW~185kW<br>LEVEL 1A,1B  | 0.75kW~375kW<br>IE3 | 0.75kW~375kW<br>GB3<br>~1.1kW<br>CCC   | 0.75kW~375kW<br>IE3 |
| Compliant product | ○ The regular 2Y200 and 2Y400 and 2Y700 can be used.<br>○ Products with other specifications are prepared now. | ○ The regular 2Y200 and 2Y400 and 2Y700 can be used.<br>○ For other products, CE certified motors can be used. | ○ The regular 2Y200 and 2Y400 and 2Y700 can be used.<br>○ For other products, CE certified motors can be used. | CE Product          | ○ CE Product 2Y200 and 2Y400 and 2Y700 can be used.<br>○ IE2 Product 2Y750 and 2Y1500 can be used. | Standard product    |

- The above is as of June, 2017. Since standards may be revised, please check the latest status of a standard of your interest.
- The standard for 0.75 kW – 375 kW motors changed from GB3 to GB2 in China in September, 2017. As needed, please contact us about the status of our compliance to the GB2 standard.

# 2MBC

## Base coupling mount type

Medium Capacity / Medium pressure

The 2MBC product combines the 2A pump and a dedicated motor are connected by a coupling and mounted on a base. The standard motor for the 2MBC is a 3 phase, 4 pole and 200V motor. Other motors can be used. (e.g. outdoor type, explosion-proof, high efficiency, 6 pole, different voltage inverter).

A continuous operation at 200°C (VH version) can be conducted. Please contact Fuji Techno for this operation.



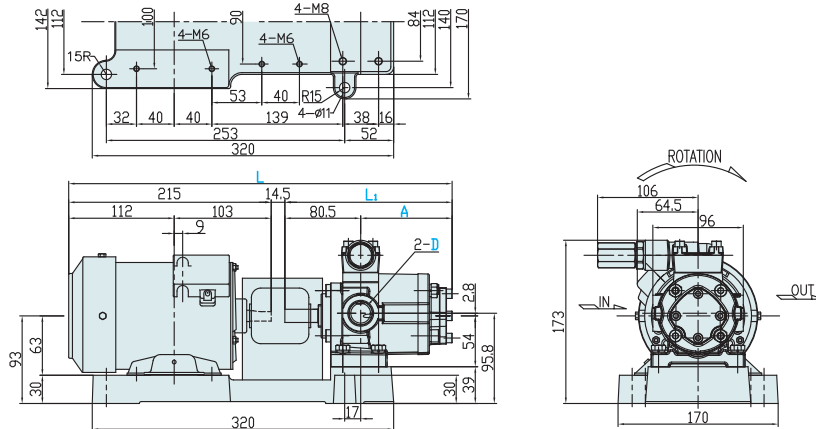
### 型式表示

| Motor output | Motor pole               | Motor Maker              | Standard                          | Indoor, Outdoor, Terminal box in opposite side | Model No. Applications                              | Rotation direction       | Seal material              | Relief valve             | Relief valve set pressure |
|--------------|--------------------------|--------------------------|-----------------------------------|--|---|--------------------------|----------------------------|--------------------------|---------------------------|
| FTP-2MBC     | <input type="checkbox"/> | <input type="checkbox"/> | <input type="checkbox"/>          | <input type="checkbox"/> -                     | <input type="checkbox"/> A <input type="checkbox"/> | <input type="checkbox"/> | <input type="checkbox"/> - | <input type="checkbox"/> | <input type="checkbox"/>  |
| 200          | No mark : 4 poles        | No mark :                | No mark : Standard                | No mark : Indoor                               | 204   | No mark :                | No mark :                  | No mark ; No valve       | ex.                       |
| 400          | x2P : 2 poles            | Mitsubishi               | A : 200V Class                    | S: Indoor,                                     | 206   | WO : Bunker oil,         | Standard (-5~40°C)         | VB : With valve          | 0.1 : Set Pressure 0.1MPa |
| 750          | x6P : 6 poles            | T: Toshiba               | (200, 400→CCC                     | Terminal box in                                | 208   | Coolant Water            | VF :                       | (Internal-return)        | (Spring No.1L)            |
| 1500         | x8P : 8 poles            | H: Hitachi               | 750→CCC·GB3                       | opposite side                                  | 210   | PL : Liquid seal         | Viton (R) for high temp.   | (External-return)        | 0.5 : Set Pressure 0.5MPa |
| 2200         |                          |                          | 1500→GB3                          | U: Outdoor                                     | 212   |                          | (120°C)                    |                          | (Spring No.2L)            |
|              |                          |                          | B : 380V Class                    | V: Outdoor,                                    | 216   |                          | VH :                       |                          | 1.0 : Set Pressure 1.0MPa |
|              |                          |                          | (200, 400→CCC                     | Terminal box in                                | 220   |                          | Ultrahigh temp.            |                          | (Spring No.3L)            |
|              |                          |                          | 750→CCC·GB2                       | opposite side                                  |   |                          | (200°C)                    |                          | 2.0 : Set Pressure 2.0MPa |
|              |                          |                          | 1500→GB2                          |  |   |                          |                            |                          | (Spring No.4L)            |
|              |                          |                          | C: EN standard (CE)               |  |   |                          |                            |                          |                           |
|              |                          |                          | D: IE2                            |  |   |                          |                            |                          |                           |
|              |                          |                          | E: IE3 Japan                      |  |   |                          |                            |                          |                           |
|              |                          |                          | EC: IE3 Europe EN standard (CE)   |  |   |                          |                            |                          |                           |
|              |                          |                          | EP: Improved explosion resistance |  |   |                          |                            |                          |                           |
|              |                          |                          | FP: Flameproof enclosure          |  |   |                          |                            |                          |                           |
|              |                          |                          | G: IE2 Korea                      |  |   |                          |                            |                          |                           |
|              |                          |                          | J: IE3 Korea                      |  |   |                          |                            |                          |                           |
|              |                          |                          | K: LEVEL IA Australia-NZ          |  |   |                          |                            |                          |                           |
|              |                          |                          | L: LEVEL IB Australia-NZ          |  |   |                          |                            |                          |                           |
|              |                          |                          | M: IE2 Brasil                     |  |   |                          |                            |                          |                           |

Model examples : FTP-2MBC750×6P-220AVF-VB1.0  
(750W, 6 phase, high temp., with relief valve (set pressure 1.0MPa))

### Dimensional diagrams (mm)

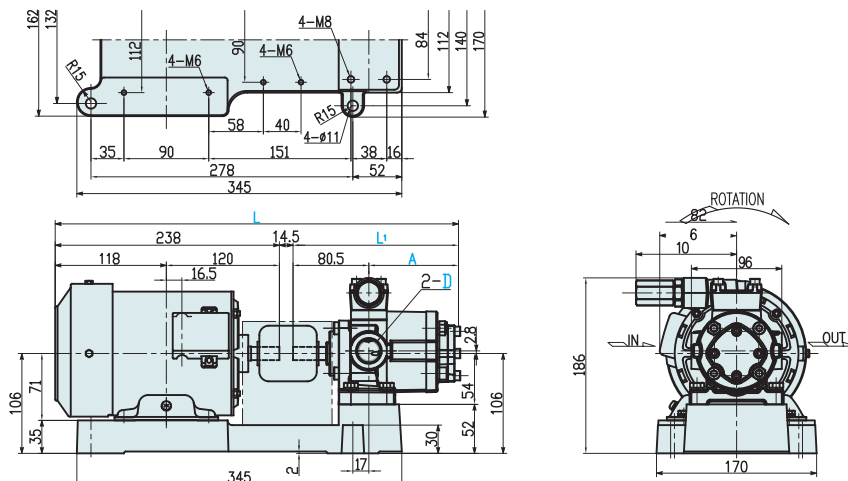
#### FTP-2MBC200-2\*\*A (WO, PL) -VB



| Model         | L     | L <sub>1</sub> | A    | D         |
|---------------|-------|----------------|------|-----------|
| 204A (WO, PL) | 375.2 | 145.7          | 65.2 | Rc<br>1/2 |
| 206A (WO, PL) | 380.2 | 150.7          | 70.2 |           |
| 208A (WO, PL) | 386.5 | 157.0          | 76.5 |           |
| 210A (WO, PL) | 391.7 | 162.2          | 81.7 | Rc<br>3/4 |
| 212A (WO, PL) | 396.9 | 167.4          | 86.9 |           |
| 216A (WO, PL) | 407.1 | 177.6          | 97.1 |           |

○ The above are numbers in case that a Mitsubishi motor is used.

#### FTP-2MBC400(200×6P)-2\*\*A (WO, PL) -VB



| Model         | L     | L <sub>1</sub> | A     | D         |
|---------------|-------|----------------|-------|-----------|
| 204A (WO, PL) | 398.2 | 145.7          | 65.2  | Rc<br>1/2 |
| 206A (WO, PL) | 403.2 | 150.7          | 70.2  |           |
| 208A (WO, PL) | 409.5 | 157.0          | 76.5  |           |
| 210A (WO, PL) | 414.7 | 162.2          | 81.7  | Rc<br>3/4 |
| 212A (WO, PL) | 419.9 | 167.4          | 86.9  |           |
| 216A (WO, PL) | 430.1 | 177.6          | 97.1  |           |
| 220A (WO, PL) | 440.2 | 187.7          | 107.2 |           |

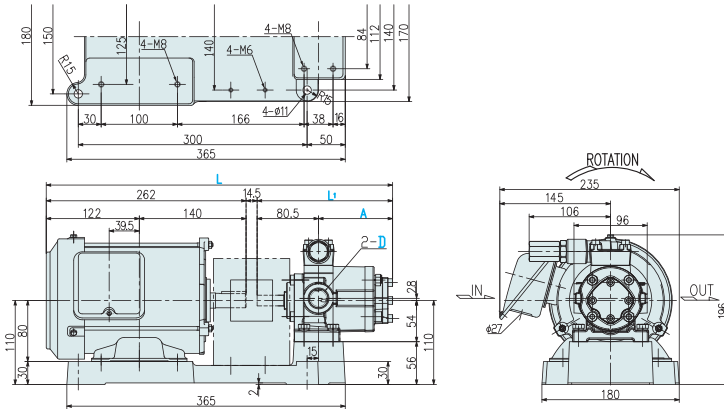
○ The above are numbers in case that a Mitsubishi motor is used.

Contact

TEL 072-858-5251 FAX 072-858-5238 Mail info@fuji-techno.co.jp

## Dimensional diagrams (mm)

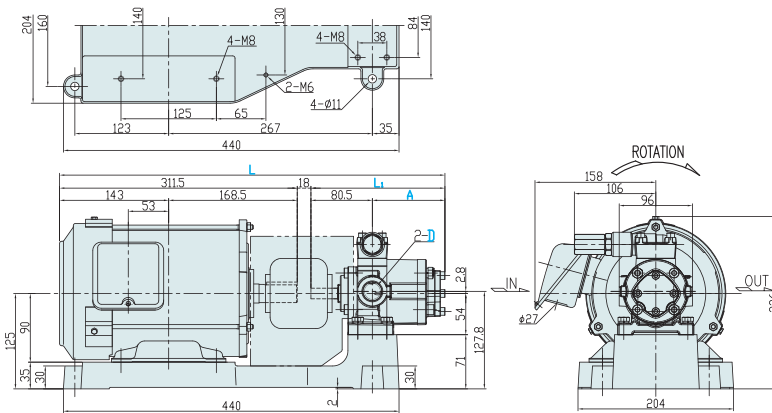
### ■ FTP-2MBC750-2\*\*A (WO, PL) -VB



| Model         | L     | L <sub>1</sub> | A     | D         |
|---------------|-------|----------------|-------|-----------|
| 204A (WO, PL) | 422.2 | 145.7          | 65.2  | Rc<br>1/2 |
| 206A (WO, PL) | 427.2 | 150.7          | 70.2  |           |
| 208A (WO, PL) | 433.5 | 157.0          | 76.5  |           |
| 210A (WO, PL) | 438.7 | 162.2          | 81.7  | Rc<br>3/4 |
| 212A (WO, PL) | 443.9 | 167.4          | 86.9  |           |
| 216A (WO, PL) | 454.1 | 177.6          | 97.1  |           |
| 220A (WO, PL) | 464.2 | 187.7          | 107.2 |           |

○ The above are numbers in case that a Mitsubishi motor is used.

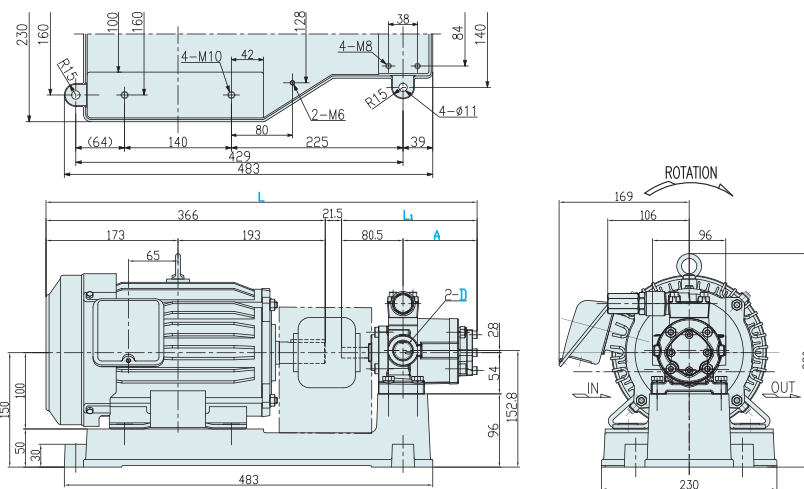
### ■ FTP-2MBC1500 (750 × 6P) -2\*\*A (WO, PL) -VB



| Model         | L     | L <sub>1</sub> | A     | D         |
|---------------|-------|----------------|-------|-----------|
| 204A (WO, PL) | 475.2 | 145.7          | 65.2  | Rc<br>1/2 |
| 206A (WO, PL) | 480.2 | 150.7          | 70.2  |           |
| 208A (WO, PL) | 486.5 | 157.0          | 76.5  |           |
| 210A (WO, PL) | 491.7 | 162.2          | 81.7  | Rc<br>3/4 |
| 212A (WO, PL) | 496.9 | 167.4          | 86.9  |           |
| 216A (WO, PL) | 507.1 | 177.6          | 97.1  |           |
| 220A (WO, PL) | 517.2 | 187.7          | 107.2 |           |

○ The above are numbers in case that a Mitsubishi motor is used.

### ■ FTP-2MBC2200 (1500 × 6P) -2\*\*A (WO, PL) -VB



| Model         | L     | L <sub>1</sub> | A     | D         |
|---------------|-------|----------------|-------|-----------|
| 204A (WO, PL) | 533.2 | 145.7          | 65.2  | Rc<br>1/2 |
| 206A (WO, PL) | 538.2 | 150.7          | 70.2  |           |
| 208A (WO, PL) | 544.5 | 157.0          | 76.5  |           |
| 210A (WO, PL) | 549.7 | 162.2          | 81.7  | Rc<br>3/4 |
| 212A (WO, PL) | 554.9 | 167.4          | 86.9  |           |
| 216A (WO, PL) | 565.1 | 177.6          | 97.1  |           |
| 220A (WO, PL) | 575.2 | 187.7          | 107.2 |           |

○ The above are numbers in case that a Mitsubishi motor is used.

## Compliance to standards

|                   | U.S.A./Canada                      | Korea                   | Australia   | E U                     | China                          | Japan               |
|-------------------|------------------------------------|-------------------------|---|-------------------------|--------------------------------|---------------------|
| Required standard | 1HP~200HP<br>(0.75kW~150kW)<br>IE3 | 0.75kW~37kW<br>IE2      | 0.73kW~185kW<br>LEVEL 1A,1B   | 0.75kW~375kW<br>IE3     | 0.75kW~375kW GB3<br>~1.1kW CCC | 0.75kW~375kW<br>IE3 |
| Compliant product | Special motor available            | Special motor available | ○The regular products can be used for 400W or lower.<br>○above 750W | Special motor available | Special motor available        | Standard product    |

○ The above is as of June, 2017. Since standards may be revised, please check the latest status of a standard of your interest.

○ The standard for 0.75 kW ~ 375 kW motors changed from GB3 to GB2 in China in September, 2017.

As needed, please contact us about the status of our compliance to the GB2 standard.

## ■ Standards

| Model        | No. of motor revolutions 50Hz 1500min <sup>-1</sup> |   |      |      |       |       | No. of motor revolutions 60Hz 1800min <sup>-1</sup> |   |      |      |       |       |
|--------------|---|---|------|------|-------|-------|---|---|------|------|-------|-------|
|              | Theoretical flow rate (L/min)                       | Max. discharge pressure to motor output (MPa) |      |      |       |       | Theoretical flow rate (L/min)                       | Max. discharge pressure to motor output (MPa) |      |      |       |       |
|              |   | 200W  | 400W | 750W | 1500W | 2200W |   | 200W  | 400W | 750W | 1500W | 2200W |
| 204A (VB,VD) | 6.0   | 1.2   | 3.0  | 3.0  | 3.0   | 3.0   | 7.2   | 0.9   | 2.3  | 3.0  | 3.0   | 3.0   |
| 206A (VB,VD) | 9.0   | 0.7   | 1.8  | 2.5  | 2.5   | 2.5   | 10.8  | 0.5   | 1.4  | 2.5  | 2.5   | 2.5   |
| 208A (VB,VD) | 12.0  | 0.5   | 1.3  | 2.5  | 2.5   | 2.5   | 14.4  | 0.3   | 1.0  | 2.3  | 2.5   | 2.5   |
| 210A (VB,VD) | 15.0  | 0.4   | 1.1  | 2.5  | 2.5   | 2.5   | 18.0  | 0.3   | 0.9  | 2.0  | 2.5   | 2.5   |
| 212A (VB,VD) | 18.0  | 0.3   | 0.9  | 2.0  | 2.0   | 2.0   | 21.6  | —   | 0.7  | 1.6  | 2.0   | 2.0   |
| 216A (VB,VD) | 24.0  | 0.2   | 0.7  | 1.5  | 1.5   | 1.5   | 28.8  | —   | 0.5  | 1.2  | 1.5   | 1.5   |
| 220A (VB,VD) | 30.0  | —   | 0.4  | 1.2  | 1.2   | 1.2   | 36.0  | —   | 0.3  | 0.9  | 1.2   | 1.2   |

○ The above max. discharge pressure are in combination with ISO-VG46 at 40°C. The rates vary depending on viscosity and temperature.

## ■ For bunker oil and coolant water

| Model          | No. of motor revolutions 50Hz 1500min <sup>-1</sup> |   |      |      |       |       | No. of motor revolutions 60Hz 1800min <sup>-1</sup> |   |      |      |       |       |
|----------------|---|---|------|------|-------|-------|---|---|------|------|-------|-------|
|                | Theoretical flow rate (L/min)                       | Max. discharge pressure to motor output (MPa) |      |      |       |       | Theoretical flow rate (L/min)                       | Max. discharge pressure to motor output (MPa) |      |      |       |       |
|                |   | 200W  | 400W | 750W | 1500W | 2200W |   | 200W  | 400W | 750W | 1500W | 2200W |
| 204AWO (VB,VD) | 6.0   | 1.2   | 1.5  | 1.5  | 1.5   | 1.5   | 7.2   | 1.0   | 1.5  | 1.5  | 1.5   | 1.5   |
| 206AWO (VB,VD) | 9.0   | 0.7   | 1.5  | 1.5  | 1.5   | 1.5   | 10.8  | 0.6   | 1.2  | 1.5  | 1.5   | 1.5   |
| 208AWO (VB,VD) | 12.0  | 0.6   | 1.2  | 1.5  | 1.5   | 1.5   | 14.4  | 0.4   | 1.0  | 1.5  | 1.5   | 1.5   |
| 210AWO (VB,VD) | 15.0  | 0.4   | 1.0  | 1.5  | 1.5   | 1.5   | 18.0  | 0.3   | 1.0  | 1.5  | 1.5   | 1.5   |
| 212AWO (VB,VD) | 18.0  | 0.3   | 0.9  | 1.5  | 1.5   | 1.5   | 21.6  | —   | 0.8  | 1.5  | 1.5   | 1.5   |
| 216AWO (VB,VD) | 24.0  | 0.2   | 0.7  | 1.4  | 1.5   | 1.5   | 28.8  | —   | 0.6  | 1.2  | 1.5   | 1.5   |
| 220AWO (VB,VD) | 30.0  | —   | 0.6  | 1.2  | 1.2   | 1.2   | 36.0  | —   | 0.5  | 0.9  | 1.2   | 1.2   |

○ The above max. discharge pressure are in combination with ISO-VG2 at 40°C.

○ In the event that abrasive liquid like kerosene oil is used, a discharge pressure must be 0.7MPa or less.

# 2Y-2AWOM

## Motor Pump

(Bunker oil , Coolant)

Medium Capacity / Medium pressure

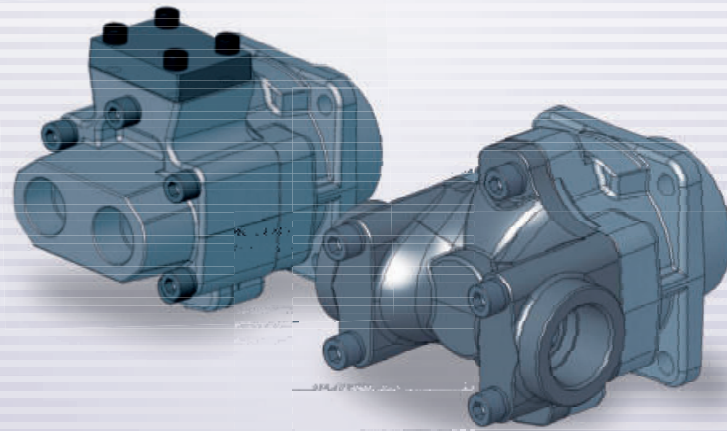
The 2Y-2AWOM consists of a dedicated motor and the 2AWO pump suitable for feeding coolant water and bunker oil such as waste oil. This unit has a small footprint. In case the ultra high temperature version (VH, max. 150°C) is required, please consult with Fuji Techno.

| Model           | No. of motor revolutions 50Hz 1500min <sup>-1</sup> |   |      |      |       | No. of motor revolutions 60Hz 1800min <sup>-1</sup> |   |      |      |       |
|-----------------|---|---|------|------|-------|---|---|------|------|-------|
|                 | Theoretical flow rate (L/min)                       | Max. discharge pressure to motor output (MPa) |      |      |       | Theoretical flow rate (L/min)                       | Max. discharge pressure to motor output (MPa) |      |      |       |
|                 |   | 200W  | 400W | 750W | 1500W |   | 200W  | 400W | 750W | 1500W |
| 204AWOM (VB,VD) | 6.0   | 1.2   | 1.5  | 1.5  | 1.5   | 7.2   | 1.0   | 1.5  | 1.5  | 1.5   |
| 206AWOM (VB,VD) | 9.0   | 0.7   | 1.5  | 1.5  | 1.5   | 10.8  | 0.6   | 1.2  | 1.5  | 1.5   |
| 208AWOM (VB,VD) | 12.0  | 0.6   | 1.2  | 1.5  | 1.5   | 14.4  | 0.4   | 1.0  | 1.5  | 1.5   |
| 210AWOM (VB,VD) | 15.0  | 0.4   | 1.0  | 1.5  | 1.5   | 18.0  | 0.3   | 1.0  | 1.5  | 1.5   |
| 212AWOM (VB,VD) | 18.0  | 0.3   | 0.9  | 1.5  | 1.5   | 21.6  | —   | 0.8  | 1.5  | 1.5   |
| 216AWOM (VB,VD) | 24.0  | 0.2   | 0.7  | 1.4  | 1.5   | 28.8  | —   | 0.6  | 1.2  | 1.5   |
| 220AWOM (VB,VD) | 30.0  | —   | 0.6  | 1.2  | 1.2   | 36.0  | —   | 0.5  | 0.9  | 1.2   |

○ The above max. discharge pressure are in use of ISO-VG2 at 40°C.

○ In the event that abrasive liquid like kerosene oil is used, a discharge pressure must be 0.7MPa or less.



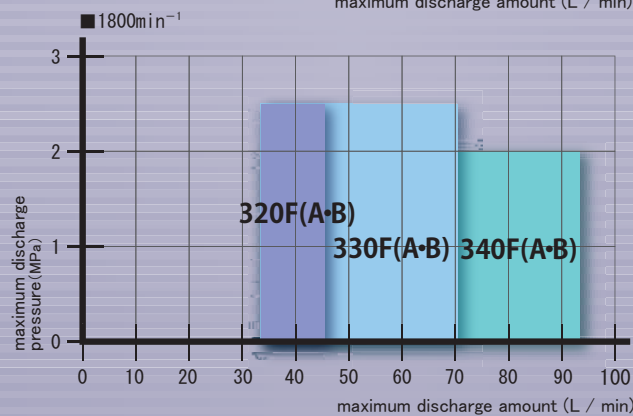
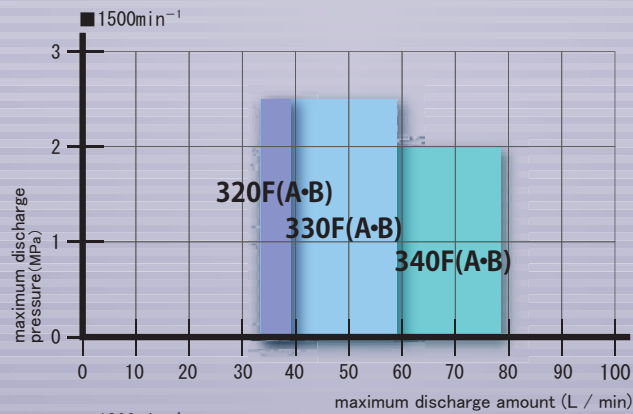


# 3F(A·B)

High capacity / Medium pressure

- 3F(A·B)** Pump
- 3F** Motor pump integrated  
(CCC · GB3 · CE · IE3 corresponding special motor)
- 3F** Motor pump (Three-phase motor)

## Performance Pattern Chart

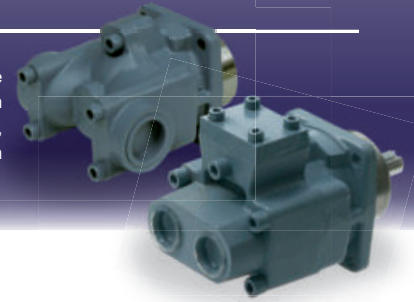


# 3FA • 3FB

# Pump

High capacity / Medium pressure

The 3FA pump is for large capacity and mid. Pressure. The max. flow rates and discharge pressures are 93.6 L/min or less and 2.5 MPa or less, respectively. The pump is used for hydraulic and lubrication applications. The dedicated motor is often used with the 3FA pump. Since this pump is relatively small, there are many cases that the pump is integrated into a machine. The rotation direction is clockwise, which is opposite to that of 1A, 1HG and 2A.



## Model

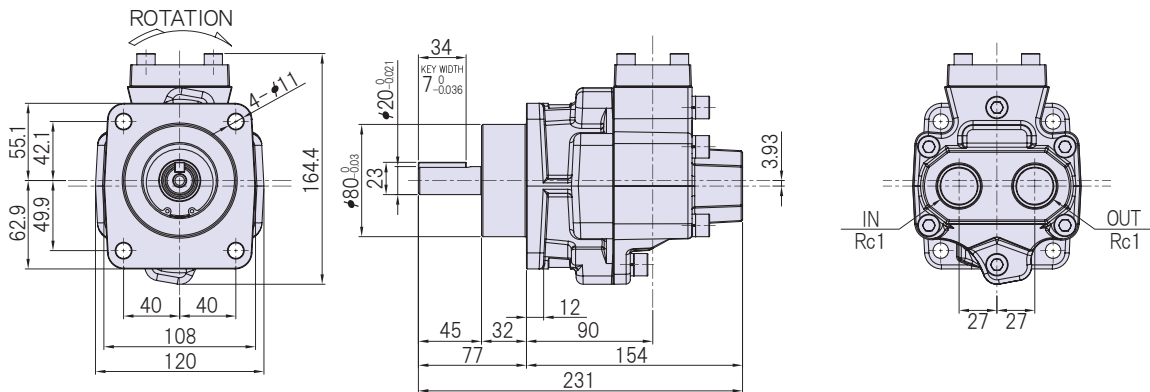
| Model No.                     | Pump Shape                       | Form                     | Rotation direction                         | Seal material                         | Relief valve             | Relief valve set pressure                |
|-------------------------------|----------------------------------|--------------------------|--|---------------------------------------|--------------------------|--|
| FTP- <input type="checkbox"/> | <input type="checkbox"/>         | <input type="checkbox"/> | <input type="checkbox"/>                   | <input type="checkbox"/>              | <input type="checkbox"/> | <input type="checkbox"/>                 |
| 320                           | FA :<br>Parallel Piping          | No mark : standard       | ※From pump side                            | No mark : Standard                    | No mark : No valve       | ex.                                      |
| 330                           | Ports                            | M : Dedicated motor      | No mark : standard rotation operation      | (-5~40°C)                             | VB : With valve          | 0.1 : Set Pressure 0.1MPa (Spring No.1L) |
| 340                           | FB :<br>Right Angle Piping Ports | (short shaft)            | (Counterclockwise direction)               | VF : Viton (R) for high temp. (120°C) | (Internal-return)        | 0.5 : Set Pressure 0.5MPa (Spring No.2L) |
|                               |                                  |                          | L : Reverse rotation operation (Clockwise) | TN : Low viscosity, Coolant liquid    |                          | 1.0 : Set Pressure 1.0MPa (Spring No.3L) |
|                               |                                  |                          |  |                                       |                          | 1.5 : Set Pressure 1.5MPa (Spring No.4L) |
|                               |                                  |                          |  |                                       |                          | 2.0 : Set Pressure 2.0MPa (Spring No.5L) |
|                               |                                  |                          |  |                                       |                          | 2.5 : Set Pressure 2.5MPa (Spring No.6L) |

Model examples : FTP-320FAM-VB1.0 (With relief valve (set pressure 1.0MPa) , exclusive motor)

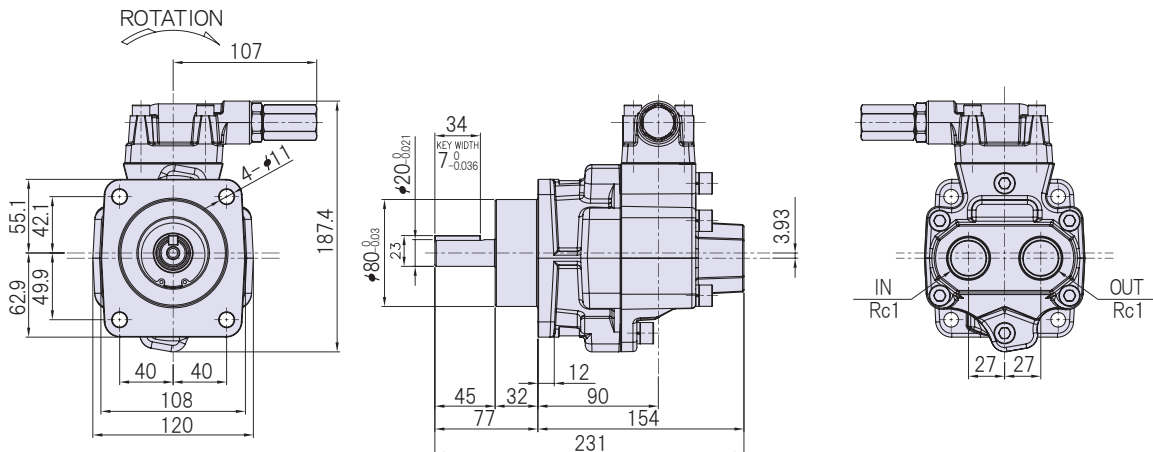
※The standard configuration of the FB type does not have the relief valve.

## Dimensional diagrams (mm)

### ■ FTP-3\*\*FA

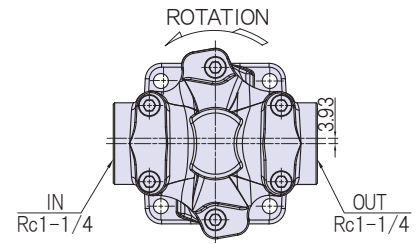
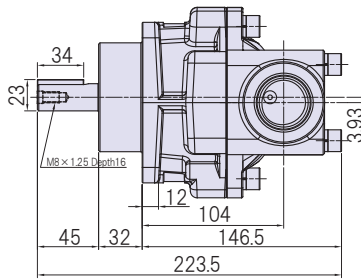
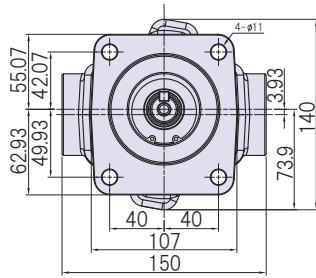


### ■ FTP-3\*\*FA-VB



# Dimensional diagrams (mm)

■ FTP-3\*\*FB



## Spec

| Model         | Spec | Flow rate per rev. (ml/rev) | Theoretical flow rate (L/min) |                       | Max. discharge pressure (MPa) | Max. revolution (min <sup>-1</sup> ) | Approx. weight (kg) |
|---------------|------|-----------------------------|-------------------------------|-----------------------|-------------------------------|--------------------------------------|---------------------|
|               |      |                             | 1500min <sup>-1</sup>         | 1800min <sup>-1</sup> |                               |                                      |                     |
| 320F(A·B)(VB) |      | 26                          | 39.0                          | 46.8                  | 2.5                           | 1800                                 | 10.7/11.3           |
| 330F(A·B)(VB) |      | 39                          | 58.5                          | 70.2                  | 2.5                           | 1800                                 | 10.6/11.2           |
| 340F(A·B)(VB) |      | 52                          | 78.0                          | 93.6                  | 2.0                           | 1800                                 | 10.5/11.1           |

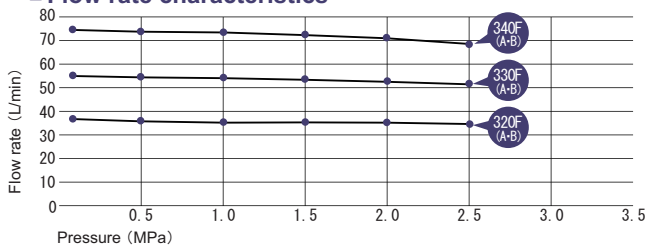
○ The above max. discharge pressure and max. revolution are in combination with SO-VG46 at 40°C. The rates vary depending on viscosity and temperature.

## Performance

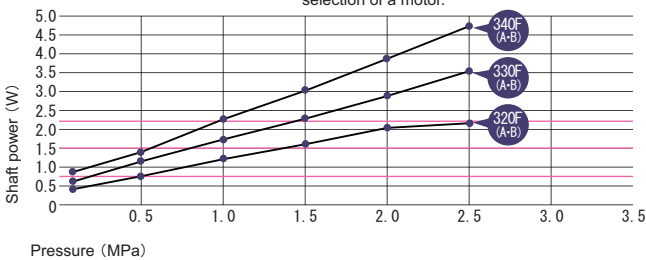
○ Test conditions Oil: ISO-VG46 Oil temp.: 40°C

### At 1,450 rotations (50Hz)

#### Flow rate characteristics



Refer to these lines in the "Required power" table as applicable standards for the selection of a motor.



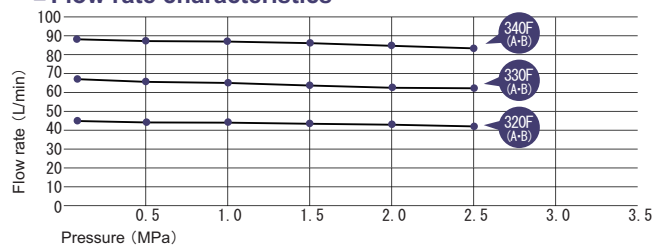
Pressure (MPa)

| Model     | Spec | Flow rate (L/min) |      |      |      |      |                |      |      |      |      | Required power (W) |      |      |                |      |      |      |      |
|-----------|------|-------------------|------|------|------|------|----------------|------|------|------|------|--------------------|------|------|----------------|------|------|------|------|
|           |      | Pressure (MPa)    |      |      |      |      | Pressure (MPa) |      |      |      |      | Pressure (MPa)     |      |      | Pressure (MPa) |      |      |      |      |
|           |      | 0.1               | 0.5  | 1.0  | 1.5  | 2.0  | 2.5            | 0.1  | 0.5  | 1.0  | 1.5  | 2.0                | 2.5  | 0.1  | 0.5            | 1.0  | 1.5  | 2.0  | 2.5  |
| 320F(A·B) |      | 37.2              | 36.9 | 36.5 | 36.1 | 35.7 | 35             | 0.45 | 0.78 | 1.20 | 1.60 | 2.02               | 2.22 | 0.55 | 0.98           | 1.45 | 1.95 | 2.44 | 2.92 |
| 330F(A·B) |      | 55.5              | 54.9 | 54.0 | 53.2 | 52.3 | 51.5           | 0.64 | 1.12 | 1.72 | 2.31 | 2.91               | 3.52 | 0.78 | 1.34           | 2.05 | 2.80 | 3.51 | 4.24 |
| 340F(A·B) |      | 74.6              | 73.9 | 73.0 | 72.1 | 71.2 | 68.5           | 0.80 | 1.45 | 2.25 | 3.10 | 3.90               | 4.72 | 1.00 | 1.81           | 2.84 | 3.84 | 4.82 | 5.80 |

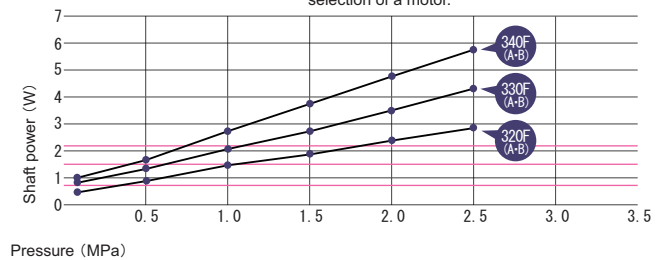
○ The required power varies depending on viscosity, temp. etc.

### At 1,750 rotations (60Hz)

#### Flow rate characteristics



Refer to these lines in the "Required power" table as applicable standards for the selection of a motor.



Pressure (MPa)

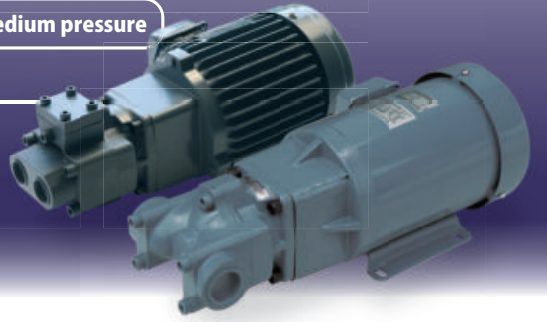
| Model     | Spec | Flow rate (L/min) |      |      |      |      |                |      |      |      |      | Required power (W) |      |      |                |      |      |      |      |
|-----------|------|-------------------|------|------|------|------|----------------|------|------|------|------|--------------------|------|------|----------------|------|------|------|------|
|           |      | Pressure (MPa)    |      |      |      |      | Pressure (MPa) |      |      |      |      | Pressure (MPa)     |      |      | Pressure (MPa) |      |      |      |      |
|           |      | 0.1               | 0.5  | 1.0  | 1.5  | 2.0  | 2.5            | 0.1  | 0.5  | 1.0  | 1.5  | 2.0                | 2.5  | 0.1  | 0.5            | 1.0  | 1.5  | 2.0  | 2.5  |
| 320F(A·B) |      | 44.9              | 44.6 | 44.1 | 43.6 | 43.1 | 42.5           | 0.55 | 0.98 | 1.45 | 1.95 | 2.44               | 2.92 | 0.55 | 0.98           | 1.45 | 1.95 | 2.44 | 2.92 |
| 330F(A·B) |      | 67.3              | 66.5 | 65.5 | 64.4 | 63.3 | 62.3           | 0.78 | 1.34 | 2.05 | 2.80 | 3.51               | 4.24 | 0.78 | 1.34           | 2.05 | 2.80 | 3.51 | 4.24 |
| 340F(A·B) |      | 89.2              | 88.5 | 87.5 | 86.6 | 85.6 | 84.6           | 1.00 | 1.81 | 2.84 | 3.84 | 4.82               | 5.80 | 1.00 | 1.81           | 2.84 | 3.84 | 4.82 | 5.80 |

# 3F

# Motor Pump (Three-phase motor)

High capacity / Medium pressure

This motor pump is the combination of the 3FAM pump and a dedicated motor and has a small footprint. 3 phase and 200V are the standard of the dedicated motor. A 6 pole motor can be used. As to high temperature, the VF version (max. 120°C) is available.



## Model

|                                 |                          |                           |                          |                          |                                |   |                          |  |
|---------------------------------|--------------------------|---------------------------|--------------------------|--------------------------|--------------------------------|---|--------------------------|--|
| <b>Motor output</b>             | <b>Motor pole</b>        | <b>Motor standard</b>     | <b>Model No.</b>         | <b>Pump Shape</b>        | <b>Rotation direction</b>      | <b>Seal material</b>                        | <b>Relief valve</b>      | <b>Relief valve set pressure</b>         |
| FTP-3F <input type="checkbox"/> | <input type="checkbox"/> | <input type="checkbox"/>  | <input type="checkbox"/> | <input type="checkbox"/> | <input type="checkbox"/>       | <input type="checkbox"/>                    | <input type="checkbox"/> | <input type="checkbox"/>                 |
| 1500                            | x 4P :                   | No mark : Standard        | 320                      | FA :                     | ※From pump side                | No mark : Standard (-5~40°C)                | No mark : No valve       | ex.                                      |
| 2200                            | 4 poles                  | A : 200V class 750        | 330                      | Parallel Piping          | No mark :                      | VF : Viton (R) for high temp.               | VB : With valve          | 0.1 : Set Pressure 0.1MPa (Spring No.1L) |
|                                 |                          | →CCC,GB3/1500→GB3         | 340                      | Ports                    | standard rotation operation    | (120°C, 24hours continuous in case of 80°C) |                          | 0.5 : Set Pressure 0.5MPa (Spring No.2L) |
|                                 |                          | B : 400V class 750        |                          | FB :                     | (Counterclockwise direction)   | TN : Low viscosity, Coolant liquid          |                          | 1.0 : Set Pressure 1.0MPa (Spring No.3L) |
|                                 |                          | →CCC,GB3/1500→GB3         |                          | Right Angle              | L : Reverse rotation operation |   |                          | 1.5 : Set Pressure 1.5MPa (Spring No.4L) |
|                                 |                          | CA : 200V class (EN)      |                          | Piping Ports             | (Clockwise)                    |   |                          | 2.0 : Set Pressure 2.0MPa (Spring No.5L) |
|                                 |                          | CB : 400V class (EN)      |                          |                          |                                |   |                          | 2.5 : Set Pressure 2.5MPa (Spring No.6L) |
|                                 |                          | EA : 200V class (IE3)     |                          |                          |                                |   |                          |  |
|                                 |                          | EB : 400V class (IE3)     |                          |                          |                                |   |                          |  |
|                                 |                          | EAC : 200V class (EN+IE3) |                          |                          |                                |   |                          |  |
|                                 |                          | EBC : 400V class (EN+IE3) |                          |                          |                                |   |                          |  |

※750×6P available  
Please contact Fuji Techno for consultation in advance.

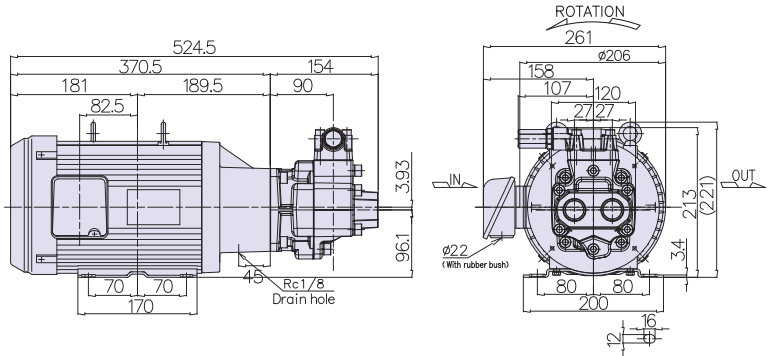
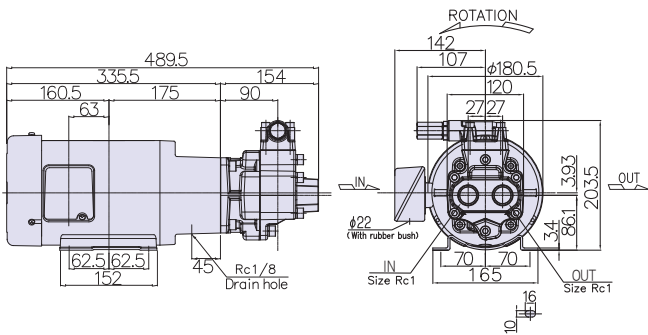
Model examples : FTP-3F1500×4P-EA-320FAMVF-VB0.1 (750W, 200V IE3, 4 pole, high temp. version, with relief valve (set pressure 1.0MPa) )

※The standard configuration of the FB type does not have the relief valve.

## Dimensional diagrams (mm)

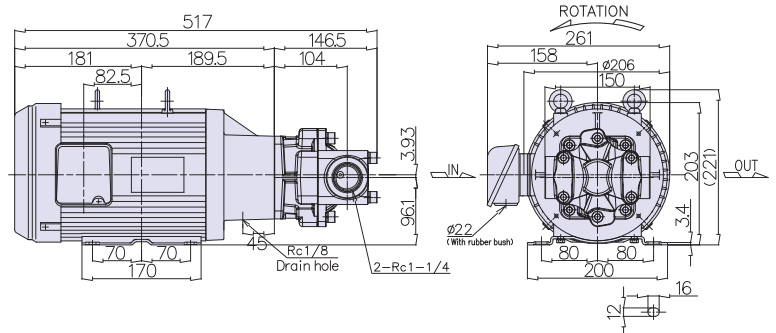
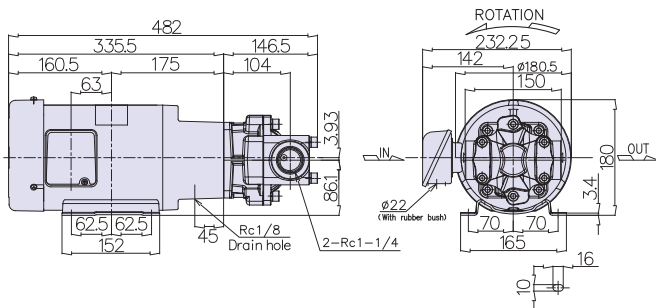
■ FTP-3F1500 × 4P-(EA,EB)-3\*\*FAM-VB

■ FTP-3F2200 × 4P-(EA,EB)-3\*\*FAM-VB



■ FTP-3F1500 × 4P-(EA,EB)-3\*\*FBM

■ FTP-3F2200 × 4P-(EA,EB)-3\*\*FBM



## Spec

| Spec          | No. of motor revolutions 50Hz 1500min <sup>-1</sup> |   | No. of motor revolutions 60Hz 1800min <sup>-1</sup> |   |
|---------------|---|---|---|---|
|               | Theoretical flow rate (L/min)                       | Max. discharge pressure to motor output (MPa) | Theoretical flow rate (L/min)                       | Max. discharge pressure to motor output (MPa) |
| Model         |   | 1500W   |   | 1500W   |
| 320F(A·B)(VB) | 39.0  | 1.3   | 46.8  | 1.0   |
| 330F(A·B)(VB) | 58.5  | 0.8   | 70.2  | 0.6   |
| 340F(A·B)(VB) | 78.0  | 0.5   | 93.6  | 0.3   |

○ The above max. discharge pressures are in combination with ISO-VG46 at 40°C. The rates vary depending on viscosity and temperature.

Contact

TEL 072-858-5251 FAX 072-858-5238 Mail info@fuji-techno.co.jp

## Motor spec

○200V 220V (200V class)

| Power (W) | Pole (P) | Rating | Voltage (V) | Frequency (Hz) | Revolutions (min <sup>-1</sup> ) | Current (A)  | Approx. weight (kg) |
|-----------|----------|--------|-------------|----------------|----------------------------------|--------------|---------------------|
| 1500      | 4        | CONT   | 200/200/220 | 50/60/60       | 1450/1740/1750                   | 6.9/6.2/6.0  | 24                  |
| 2200      | 4        | CONT   | 200/200/220 | 50/60/60       | 1460/1750/1760                   | 10.6/9.4/9.2 | 39                  |

○400V 440V (400V class)

| Power (W) | Pole (P) | Rating | Voltage (V) | Frequency (Hz) | Revolutions (min <sup>-1</sup> ) | Current (A) | Approx. weight (kg) |
|-----------|----------|--------|-------------|----------------|----------------------------------|-------------|---------------------|
| 1500      | 4        | CONT   | 400/400/440 | 50/60/60       | 1450/1740/1750                   | 3.4/3.1/3.0 | 24                  |
| 2200      | 4        | CONT   | 400/400/440 | 50/60/60       | 1460/1750/1760                   | 5.3/4.7/4.6 | 39                  |

○ Squirrel-cage induction motor ○ Totally-enclosed and fan cooled type ○ Insulation class F ○ IP44

# 3 F

## Motor Pump

Standards (CCC, GB3, CE, IE3)

High capacity / Medium pressure

## Dimension, pump spec., motor spec.

※ All numbers are the same as for the standard version. (P28)

※ The protective structure compliance to CCC, GB3 and EN (CE) are IP54 and the insulation class is B.

## Motor standard



In order to use motors with 1.1kW or less in China, the motors have to be CCC certified.  
Also motors with 750W or higher must have GB3 to be used in China.

# GB3

GB3 is equivalent to IE2 of IEC.



Only motors, which meet EN standard and have CE marks attached, can be used in member nations of EU.

## Compliance to standards

|                   | U.S.A./Canada                      | Korea              | Australia                  | E U                          | China                          | Japan               |
|-------------------|------------------------------------|--------------------|----------------------------|------------------------------|--------------------------------|---------------------|
| Required standard | 1HP~200HP<br>(0.75kW~150kW)<br>IE3 | 0.75kW~37kW<br>IE2 | 0.73kW~185kW<br>LEVEL1A,1B | 0.75kW~375kW<br>IE3          | 0.75kW~375kW GB3<br>~1.1kW CCC | 0.75kW~375kW<br>IE3 |
| Compliant product | In preparation                     | —                  | —                          | IE2, CE<br>certified product | GB3<br>certified product       | Standard product    |

○ The above is as of June, 2017. Since standards may be revised, please check the latest status of a standard of your interest.

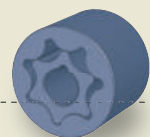
○ The standard for 0.75 kW – 375 kW motors changed from GB3 to GB2 in China in September, 2017.

As needed, please contact us about the status of our compliance to the GB2 standard.

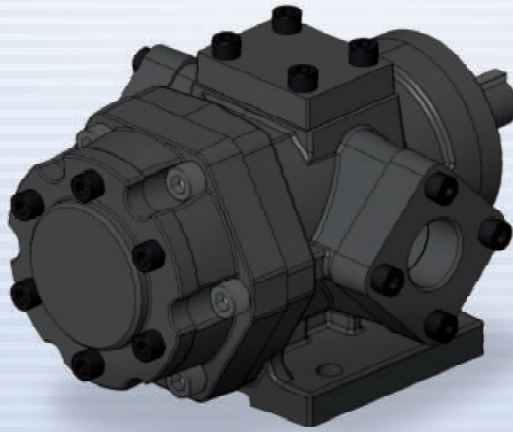
### Tip 4

#### Selection of proper filter

It is preferable to have a filter with a very large filtration volume and fine mesh. However, since a space for a filter is not unlimited, the size of the filter is determined by the available space. Then, the next step is to select a proper mesh. A filter with 60 mesh or rougher allows particles large enough to cause blockage of FTP pump. In consideration of FTP's applications, 150-250 mesh are appropriate. Lastly, liquid viscosity and passing flow rate are bases to determine a filtration volume. Usually, a filter manufacturer provides a user with a recommendation and information about the size of a filter based on a specification. Roughly speaking, it is essential to select the size of a filter, which is as large as possible and larger than an inlet diameter of a pump. If possible, place a vacuum gauge in a suction side to prevent any vacuum. Also, it is important to monitor a pump for any unusual sounds. Before the installation of a filter, make sure that there are no particles like iron powder or sealant tape in the plumbing between a pump and a filter location.





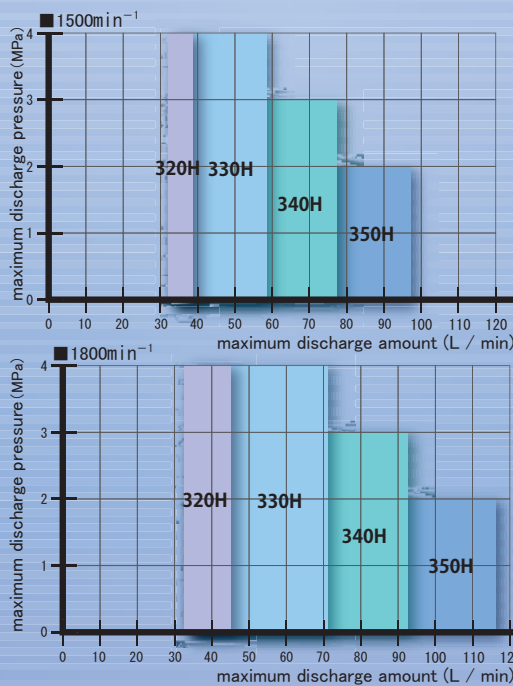


# 3H

High Capacity / High pressure, Medium pressure

- 3 H** Pump
- 3 HWO** Pump (Bunker oil , Coolant)
- 3 HPL** Pump (Liquid seal to cut off outside air)
- 3 MBC** Base coupling mounting type

## Performance Pattern Chart



# 3H

# Pump

High Capacity / High pressure, Medium pressure

The 3H pump is a large capacity pump for high pressure. The max. flow rates and discharge pressures are 117L/min or less and 4 MPa or less, respectively.

This pump are widely used in hydraulic, lubrication and cooling applications. By operation in low rotations, the pump can feed liquid in viscosity exceeding 10,000 mm<sup>2</sup>/s. There are 4 models and many combinations of the rotation direction, the seal, the relief valve and the temperature range including the VH version. The rotation direction is clockwise, which is reverse of that of 1A and 2A.



## Model

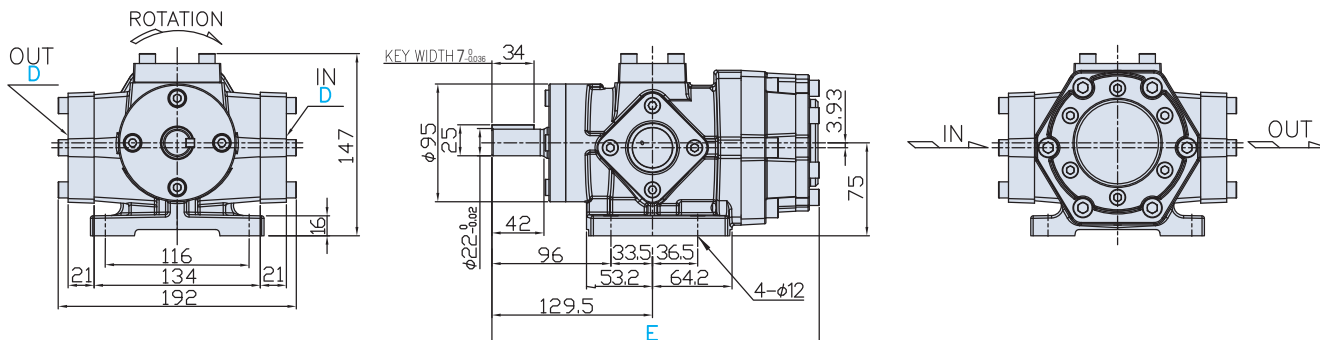
| FTP- | Model No.                          | Applications                       | Rotation direction       | Seal material                         | Relief valve             | Relief valve set pressure               |
|------|------------------------------------|------------------------------------|--------------------------|---------------------------------------|--------------------------|---|
|      | <input type="checkbox"/> H         | <input type="checkbox"/>           | <input type="checkbox"/> | <input type="checkbox"/>              | <input type="checkbox"/> | <input type="checkbox"/>                |
| 320  | No mark : Standard                 | No mark : Standard                 | No mark : Clockwise      | No mark : Standard (-5~40°C)          | No mark : No valve       | ex.                                     |
| 330  | WO : Waste oil                     | WO : Waste oil                     | L : Counter clockwise    | VF : Viton (R) for high temp. (120°C) | VB : With valve          | 0.1 : Set Pressure 0.1MPa(Spring No.1L) |
| 340  | PL : Liquid seal                   | PL : Liquid seal                   |                          | VH : Ultrahigh temp. (200°C)          | (Internal-return)        | 0.5 : Set Pressure 0.5MPa(Spring No.2L) |
| 350  | TN : Low viscosity, Coolant liquid | TN : Low viscosity, Coolant liquid |                          |                                       |                          | 1.0 : Set Pressure 1.0MPa(Spring No.3L) |
|      |                                    |                                    |                          |                                       |                          | 1.5 : Set Pressure 1.5MPa(Spring No.4L) |
|      |                                    |                                    |                          |                                       |                          | 2.0 : Set Pressure 2.0MPa(Spring No.5L) |
|      |                                    |                                    |                          |                                       |                          | 2.5 : Set Pressure 2.5MPa(Spring No.6L) |

Model examples : FTP-330HL-VB0.1 (With relief valve (set pressure 0.1MPa) , exclusive motor)

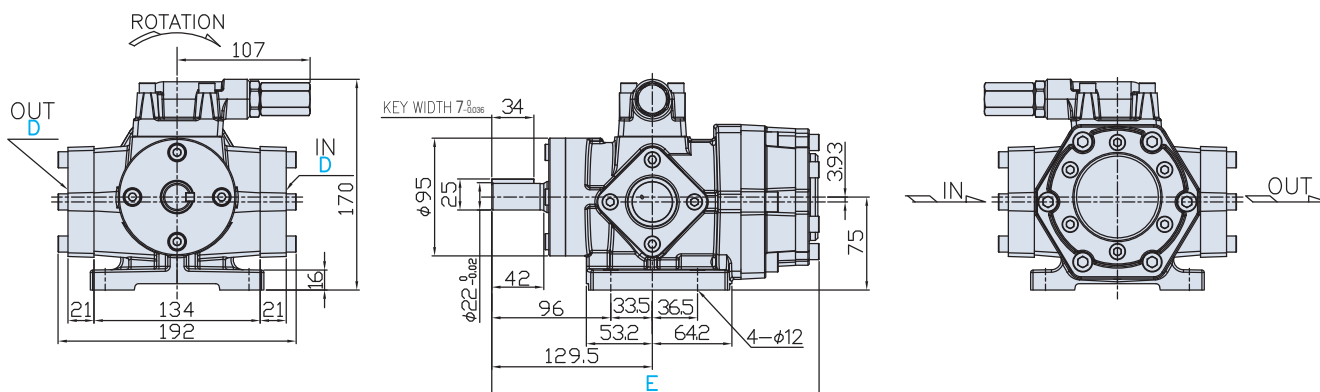
※Other than the above models, the models for low viscous liquids or Coolant water are available as well. Please contact us for details.

## Dimensional diagrams (mm)

### ■ FTP-3\*\*H(WO,PL,TN) Without relief valve



### ■ FTP-3\*\*H-VB(WO,PL,TN) With relief valve (VB)



### ■ Standard and PL type

| Model    | In $\frac{D}{4}$  |     | E   |
|----------|-------------------|-----|-----|
|          | In                | Out |     |
| 320H(PL) | Rc1               | Rc1 | 264 |
| 330H(PL) | Rc1 $\frac{1}{4}$ | Rc1 | 264 |
| 340H(PL) | Rc1 $\frac{1}{4}$ | Rc1 | 264 |
| 350H(PL) | Rc1 $\frac{1}{4}$ | Rc1 | 274 |

※Common Drawing

### ■ WO and TN type

| Model       | In $\frac{D}{4}$  |                   | E   |
|-------------|-------------------|-------------------|-----|
|             | In                | Out               |     |
| 320H(WO,TN) | Rc1 $\frac{1}{4}$ | Rc1               | 264 |
| 330H(WO,TN) | Rc1 $\frac{1}{4}$ | Rc1               | 264 |
| 340H(WO,TN) | Rc1 $\frac{1}{4}$ | Rc1 $\frac{1}{4}$ | 264 |
| 350H(WO,TN) | Rc1 $\frac{1}{4}$ | Rc1 $\frac{1}{4}$ | 274 |

※Common Drawing

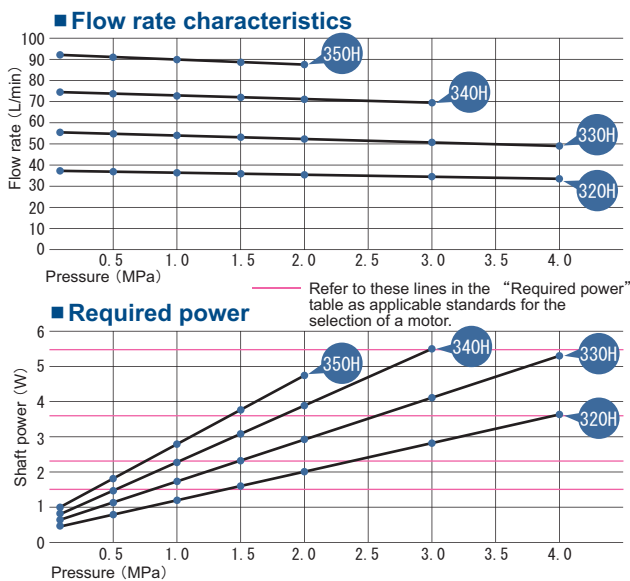
| Model     | Spec | Flow rate per. rev. (ml/rev) | Theoretical flow rate (L/min) |                        | Max. discharge pressure (MPa) | Max. revolution (min <sup>-1</sup> ) | Approx. weight Without valve/With valve (kg) |
|-----------|------|------------------------------|-------------------------------|------------------------|-------------------------------|--------------------------------------|--|
|           |      |                              | 1500 min <sup>-1</sup>        | 1800 min <sup>-1</sup> |                               |                                      |  |
| 320H (VB) |      | 26                           | 39.0                          | 46.8                   | 4.0                           | 1800                                 | 16.9/17.7                                    |
| 330H (VB) |      | 39                           | 58.5                          | 70.2                   | 4.0                           | 1800                                 | 17.0/17.8                                    |
| 340H (VB) |      | 52                           | 78.0                          | 93.6                   | 3.0                           | 1800                                 | 17.0/17.8                                    |
| 350H (VB) |      | 65                           | 97.5                          | 117.0                  | 2.0                           | 1800                                 | 18.0/18.8                                    |

○ The above max. discharge pressure and max. revolution are in combination with ISO-VG46 at 40°C. The rates vary depending on viscosity and temperature.

Performance

○ Test conditions Oil: ISO-VG46 Oil temp.: 40°C

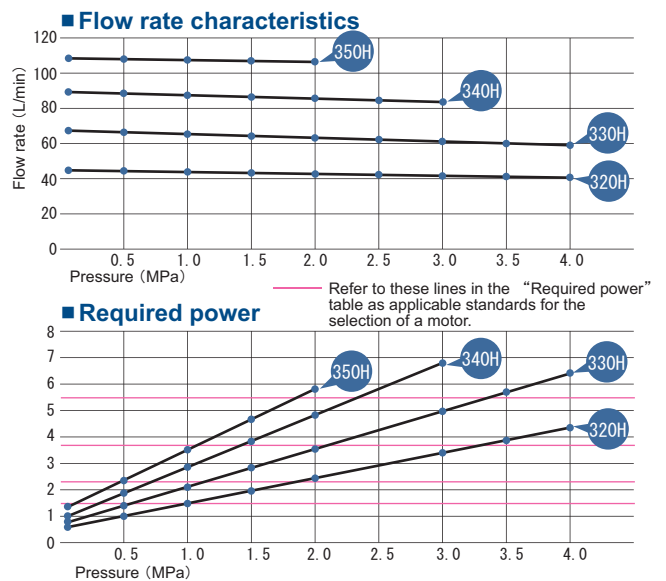
At 1,450 rotations (50Hz)



| Model | Spec | Flow rate (L/min) |      |      |      |      |      |      |      | Required power (W) |      |      |      |      |      |  |  |
|-------|------|-------------------|------|------|------|------|------|------|------|--------------------|------|------|------|------|------|--|--|
|       |      | Pressure (MPa)    |      |      |      |      |      |      |      | Pressure (MPa)     |      |      |      |      |      |  |  |
|       |      | 0.1               | 0.5  | 1.0  | 1.5  | 2.0  | 3.0  | 4.0  | 0.1  | 0.5                | 1.0  | 1.5  | 2.0  | 3.0  | 4.0  |  |  |
| 320H  |      | 37.2              | 36.9 | 36.5 | 36.2 | 35.7 | 34.9 | 33.5 | 0.45 | 0.78               | 1.20 | 1.60 | 2.02 | 2.83 | 3.64 |  |  |
| 330H  |      | 55.5              | 55.1 | 54.3 | 53.2 | 52.2 | 50.6 | 49.0 | 0.64 | 1.12               | 1.72 | 2.31 | 2.91 | 4.10 | 5.30 |  |  |
| 340H  |      | 74.6              | 73.9 | 73.0 | 72.1 | 71.2 | 69.5 | —    | 0.80 | 1.45               | 2.25 | 3.10 | 3.90 | 5.50 | —    |  |  |
| 350H  |      | 92.1              | 91.2 | 90.0 | 88.8 | 87.6 | —    | —    | 1.00 | 1.77               | 2.78 | 3.79 | 4.74 | —    | —    |  |  |

○ The required power varies depending on viscosity, temp. etc.

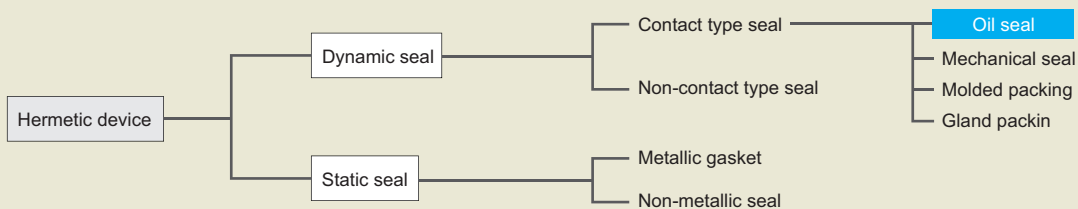
At 1,750 rotations (60Hz)



| Model | Spec | Flow rate (L/min) |       |       |       |       |      |      |      | Required power (W) |      |      |      |      |      |  |  |
|-------|------|-------------------|-------|-------|-------|-------|------|------|------|--------------------|------|------|------|------|------|--|--|
|       |      | Pressure (MPa)    |       |       |       |       |      |      |      | Pressure (MPa)     |      |      |      |      |      |  |  |
|       |      | 0.1               | 0.5   | 1.0   | 1.5   | 2.0   | 3.0  | 4.0  | 0.1  | 0.5                | 1.0  | 1.5  | 2.0  | 3.0  | 4.0  |  |  |
| 320H  |      | 44.9              | 44.6  | 44.1  | 43.6  | 43.1  | 42.0 | 40.6 | 0.59 | 0.96               | 1.45 | 1.95 | 2.44 | 3.40 | 4.35 |  |  |
| 330H  |      | 67.3              | 66.5  | 65.5  | 64.4  | 63.3  | 61.2 | 59.0 | 0.78 | 1.34               | 2.05 | 2.80 | 3.51 | 4.93 | 6.40 |  |  |
| 340H  |      | 89.2              | 88.5  | 87.5  | 86.6  | 85.6  | 83.6 | —    | 1.00 | 1.80               | 2.84 | 3.84 | 4.80 | 6.80 | —    |  |  |
| 350H  |      | 108.4             | 108.0 | 107.4 | 106.8 | 106.3 | —    | —    | 1.35 | 2.28               | 3.48 | 4.65 | 5.83 | —    | —    |  |  |

ポンプ—ロメモ — Seal structure and material —

The internal gear pump brings kinetic energy from the motor to the inside of the pump through the axis of rotation. It is inevitable that a gap is formed between the axis of rotation and the pressure vessel (stationary ring) filled with highly pressurized liquid. Therefore, sealing is needed to prevent the leakage of the liquid and the entry of foreign particles. It is essential to select seals suitable for the kind of liquid to be used and the operation conditions. Otherwise the durability and the performance of the pump would be greatly affected. "Oil seal" mainly for oil transfer is used in our pumps. Even with the oil seal, by designing the pump structure specifically for anaerobic liquid, waste liquid and high temperature liquid, etc., our pumps can handle these liquids. Once, handling the special liquids could be done by only expensive pumps.



# 3HWO

## Pump (Bunker oil , Coolant)

High Capacity / High pressure, Medium pressure

Special PTFE (Teflon (R)) seals are used to isolate bearings from liquid so that wear of the bearings is minimized. Thus, the 3HWO is able to reach a long product life even with spray of waste oil or coolant liquid with slurry.

The 3HWO can handle liquids up to the temperature of 150°C. In case that it is required to handle temperatures higher than 150°C is required, please consult with Fuji Techno.

The suction pressure can be as high as the max. discharge pressure in the 3HWO.



### 仕様

| Model       | Spec | Flow rate per. rev.<br>(ml/rev) | Theoretical flow rate (L/min) |                       | Max. discharge pressure (MPa) | Max. revolution (min <sup>-1</sup> ) | Approx. weight<br>Without valve/With valve (kg) |
|-------------|------|---------------------------------|-------------------------------|-----------------------|-------------------------------|--------------------------------------|---|
|             |      |                                 | 1500min <sup>-1</sup>         | 1800min <sup>-1</sup> |                               |                                      |   |
| 320HWO (VB) |      | 26                              | 39.0                          | 46.8                  | 1.0                           | 1800                                 | 16.9/17.7                                       |
| 330HWO (VB) |      | 39                              | 58.5                          | 70.2                  | 1.0                           | 1800                                 | 17.0/17.8                                       |
| 340HWO (VB) |      | 52                              | 78.0                          | 93.6                  | 0.8                           | 1800                                 | 17.0/17.8                                       |
| 350HWO (VB) |      | 65                              | 97.5                          | 117.0                 | 0.7                           | 1800                                 | 18.0/18.8                                       |

○ The above max. discharge pressure and max. revolution are in combination with ISO-VG2 at 40°C.

With ISO-VG46 at 40°C, the max. pressure and the max. revolution are the same as that of the standard version. (see page 31)

○ In the event that abrasive liquid like kerosene oil is used, a discharge pressure must be 0.7MPa or less.

# 3HPL

## Pump (Liquid seal to cut off outside air)

High Capacity / High pressure, Medium pressure

By using special PTFE (Teflon (R)) seals to confine liquid between the seals, the liquid is prevented from contacting open air. The 3HPL is ideal to transfer air reactive chemicals such as isocyanate.

The max. temperature the 3HPL can bear is 120°C. If a temperature higher than 120°C is required, please contact Fuji Techno for consultation.

Because of the use of the seals, a suction pressure can be up to the max. discharge pressure in the 3HPL.



### 仕様

| Model       | Spec | Flow rate per. rev.<br>(ml/rev) | Theoretical flow rate (L/min) |                       | Max. discharge pressure (MPa) | Max. revolution (min <sup>-1</sup> ) | Approx. weight<br>Without valve/With valve (kg) |
|-------------|------|---------------------------------|-------------------------------|-----------------------|-------------------------------|--------------------------------------|---|
|             |      |                                 | 1500min <sup>-1</sup>         | 1800min <sup>-1</sup> |                               |                                      |   |
| 320HPL (VB) |      | 26                              | 39.0                          | 46.8                  | 2.0                           | 1800                                 | 16.9/17.7                                       |
| 330HPL (VB) |      | 39                              | 58.5                          | 70.2                  | 2.0                           | 1800                                 | 17.0/17.8                                       |
| 340HPL (VB) |      | 52                              | 78.0                          | 93.6                  | 1.0                           | 1800                                 | 17.0/17.8                                       |
| 350HPL (VB) |      | 65                              | 97.5                          | 117.0                 | 1.0                           | 1800                                 | 18.0/18.8                                       |

○ The above max. discharge pressure and max. revolution are in combination with ISO-VG46 at 40°C. The rates vary depending on viscosity and temperature.

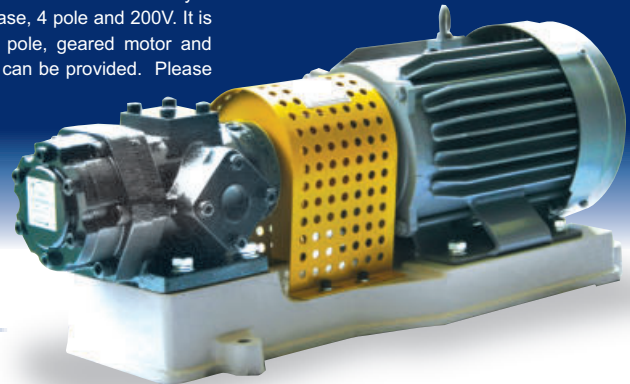
○ In the event that abrasive liquid like kerosene oil is used, a discharge pressure must be 0.7MPa or less.

# 3MBC

## Base coupling mount type

High Capacity / High pressure, Medium pressure

The 3MBC product combines the 3H pump and a non-dedicated motor are connected by a coupling and mounted on a base. The standard spec. of the motor is 3 phase, 4 pole and 200V. It is possible to use other motors such as outdoor type, explosion-proof, 6 pole, geared motor and different voltage motor. A continuous operation at 200°C (VH version) can be provided. Please contact Fuji Techno for this operation.



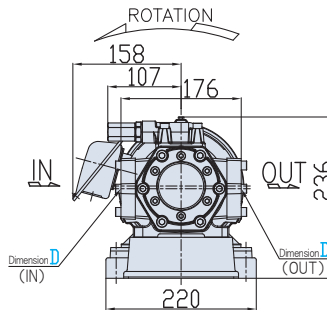
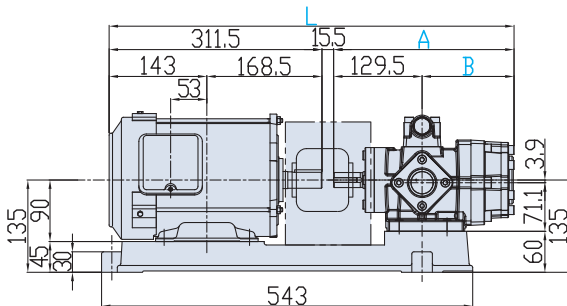
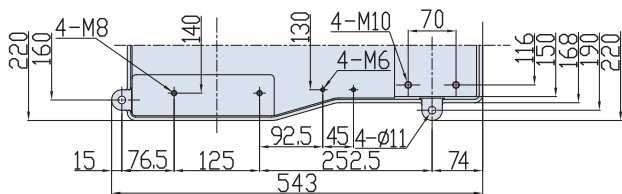
### Model

| FTP-3MBC | Motor output<br>kW               | Motor pole, reduction ratio  | Motor Maker  | Standard  | Indoor, Outdoor, Terminal box in opposite side   | Model No.                | Applications  | Rotation direction                              | Seal material   | Relief valve   | Relief valve set pressure   |
|----------|----------------------------------|--|--|---|--|--------------------------|---|---|---|--|---|
|          | 0.75<br>1.5<br>2.2<br>3.7<br>5.5 | Number of motor poles, Reduction ratio<br>× 4P : 4 poles<br>× 6P : 6 poles<br>× 8P : 8 poles<br>1/3 : Ratio 1/3<br>1/5 : Ratio 1/5<br>1/10 : Ratio 1/10<br>(In case of the geared motor, the reduction ratio is written together.) | No mark:<br>Mitsubishi<br>T: Toshiba<br>H: Hitachi | No mark: Standard<br>A: 200V Class<br>(200, 400→CCC)<br>(750→CCC-GB3)<br>(1500→GB3)<br>B: 380V Class<br>(200, 400→CCC)<br>(750→CCC-GB2)<br>(1500→GB2)<br>C: EN standard (CE)<br>D: IE2<br>E: IE3 Japan<br>EC: IE3 Europe_EN standard (CE)<br>EP: Improved explosion resistance<br>FP: Flameproof enclosure<br>G: IE2 Korea<br>J: IE3 Korea<br>K: LEVEL 1A Australia-NZ<br>L: LEVEL 1B Australia-NZ<br>M: IE2 Brasil | No mark: Indoor<br>S: Indoor,<br>Terminal box in opposite side<br>U: Outdoor<br>V: Outdoor,<br>Terminal box in opposite side | 320<br>330<br>340<br>350 | No mark : Standard<br>WO : Waste oil<br>PL : Liquid seal<br>TN : Low viscosity,<br>Coolant liquid | No mark :<br>Counter clockwise<br>L : Clockwise | No mark : Standard (-5~40°C)<br>VF : Viton (R) for high temp. (120°C)<br>VH : Ultrahigh temp. (200°C)<br>※ In case of the continuous operation of the pump for a long period, please contact Fuji Techno for consultation in advance. | No mark : No valve<br>VB : With valve<br>(Internal-return) | ex.<br>0.1 : Set Pressure 0.1MPa(Spring No.1L)<br>0.5 : Set Pressure 0.5MPa(Spring No.2L)<br>1.0 : Set Pressure 1.0MPa(Spring No.3L)<br>1.5 : Set Pressure 1.5MPa(Spring No.4L)<br>2.0 : Set Pressure 2.0MPa(Spring No.5L)<br>2.5 : Set Pressure 2.5MPa(Spring No.6L) |

Model examples :  
FTP-3MBC1.5kW × 6P-320HPL-VB1.0  
(1.5kW, 6 pole, liquid seal specifications, with relief valve <Set pressure 1.0MPa> )

### Dimensional diagrams (mm)

■ FTP-3MBC1.5kW × 4P (0.75kW × 6P) - 3\*\*H(WO, PL, TN) - VB



■ Standard and PL type

| Model     | L   | A   | B     | D       |     |
|-----------|-----|-----|-------|---------|-----|
|           |     |     |       | In      | Out |
| 320H (PL) |     |     |       | Rc1     |     |
| 330H (PL) | 591 | 264 | 134.5 | Rc1 1/4 | Rc1 |
| 340H (PL) |     |     |       |         |     |
| 350H (PL) | 601 | 274 | 144.5 |         |     |

■ WO type and TN type

| Model         | L   | A   | B     | D       |         |
|---------------|-----|-----|-------|---------|---------|
|               |     |     |       | In      | Out     |
| 320H (WO, TN) |     |     |       | Rc1 1/4 | Rc1     |
| 330H (WO, TN) | 591 | 264 | 134.5 |         |         |
| 340H (WO, TN) |     |     |       | Rc1 1/4 | Rc1 1/4 |
| 350H (WO, TN) | 601 | 274 | 144.5 |         |         |

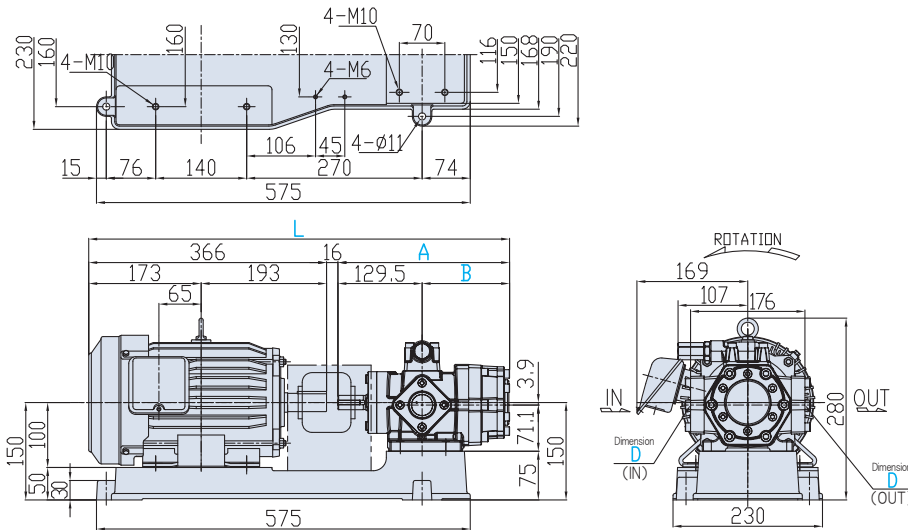
○ The above are numbers in case that a Mitsubishi motor is used.

Please read the following page as well. ▶



## Dimensional diagrams (mm)

### ■ FTP-3MBC2. 2kW × 4P (1.5kW × 6P) -3\*\*H(WO, PL, TN)-VB



#### ■ Standard and PL type

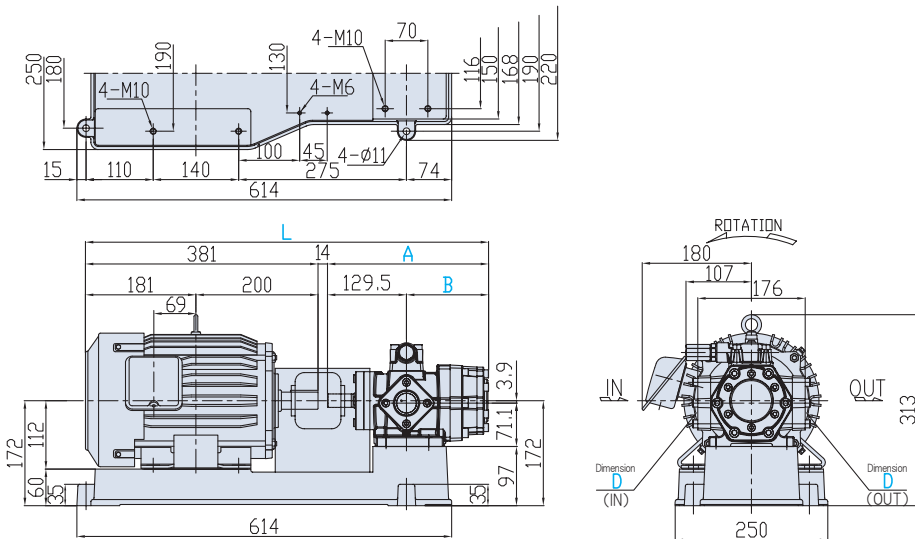
| Model     | L   | A   | B     | D       |     |
|-----------|-----|-----|-------|---------|-----|
|           |     |     |       | In      | Out |
| 320H (PL) | 646 | 264 | 134.5 | Rc1     | Rc1 |
| 330H (PL) |     |     |       | Rc1 1/4 |     |
| 340H (PL) |     |     |       |         |     |
| 350H (PL) | 656 | 274 | 144.5 |         |     |

#### ■ WO type and TN type

| Model         | L   | A   | B     | D       |     |
|---------------|-----|-----|-------|---------|-----|
|               |     |     |       | In      | Out |
| 320H (WO, TN) | 646 | 264 | 134.5 | Rc1     | Rc1 |
| 330H (WO, TN) |     |     |       | Rc1 1/4 |     |
| 340H (WO, TN) |     |     |       |         |     |
| 350H (WO, TN) | 656 | 274 | 144.5 |         |     |

○ The above are numbers in case that a Mitsubishi motor is used.

### ■ FTP-3MBC3. 7kW × 4P (2.2kW × 6P) -3\*\*H(WO, PL, TN)-VB



#### ■ Standard and PL type

| Model     | L   | A   | B     | D       |     |
|-----------|-----|-----|-------|---------|-----|
|           |     |     |       | In      | Out |
| 320H (PL) | 659 | 264 | 134.5 | Rc1     | Rc1 |
| 330H (PL) |     |     |       | Rc1 1/4 |     |
| 340H (PL) |     |     |       |         |     |
| 350H (PL) | 669 | 274 | 144.5 |         |     |

#### ■ WO type and TN type

| Model         | L   | A   | B     | D       |     |
|---------------|-----|-----|-------|---------|-----|
|               |     |     |       | In      | Out |
| 320H (WO, TN) | 659 | 264 | 134.5 | Rc1     | Rc1 |
| 330H (WO, TN) |     |     |       | Rc1 1/4 |     |
| 340H (WO, TN) |     |     |       |         |     |
| 350H (WO, TN) | 669 | 274 | 144.5 |         |     |

○ The above are numbers in case that a Mitsubishi motor is used.

## Compliance to standards

|                   | U.S.A./Canada                             | Korea                     | Australia                         | E U                        | China  | Japan                      |
|-------------------|---|---------------------------|-----------------------------------|----------------------------|--|----------------------------|
| Required standard | 1HP~200HP<br>(0.75kW~150kW)<br><b>IE3</b> | 0.75kW~37kW<br><b>IE2</b> | 0.73kW~185kW<br><b>LEVEL1A,1B</b> | 0.75kW~7.5kW<br><b>IE2</b> | 0.75kW~375kW <b>GB3</b><br>~1.1kW <b>CCC</b> | 0.75kW~375kW<br><b>IE3</b> |
| Compliant product | Special motor available                   | Special motor available   | —                                 | Available                  | Special motor available                      | Standard product           |

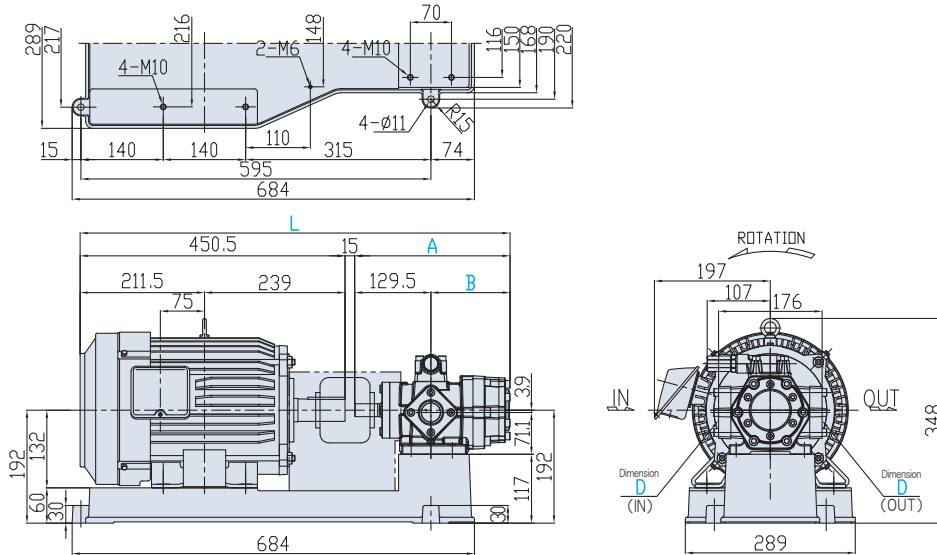
○ The above is as of June, 2017. Since standards may be revised, please check the latest status of a standard of your interest.

○ The standard for 0.75 kW – 375 kW motors changed from GB3 to GB2 in China in September, 2017.

As needed, please contact us about the status of our compliance to the GB2 standard.

## Dimensional diagrams (mm)

### ■ FTP-3MBC5. 5kW × 4P (3.7kW × 6P) -3\*\*H(WO,PL,TN)-VB



#### ■ Standard and PL type

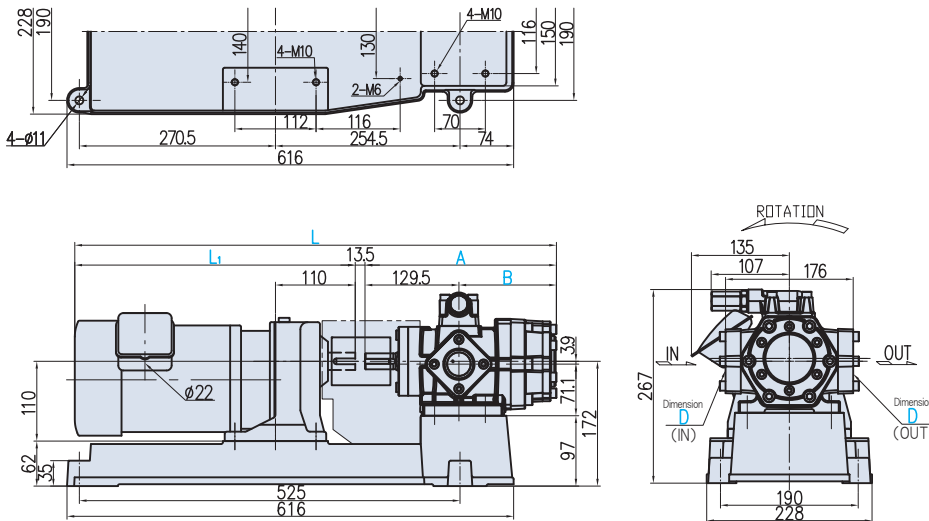
| Model     | L     | A   | B     | D                 |     |
|-----------|-------|-----|-------|-------------------|-----|
|           |       |     |       | In                | Out |
| 320H (PL) | 729.5 | 264 | 134.5 | Rc1               | Rc1 |
| 330H (PL) |       |     |       | Rc1 $\frac{1}{4}$ |     |
| 340H (PL) |       |     |       |                   |     |
| 350H (PL) | 739.5 | 274 | 144.5 |                   |     |

#### ■ WO type and TN type

| Model        | L     | A   | B     | D                 |                   |
|--------------|-------|-----|-------|-------------------|-------------------|
|              |       |     |       | In                | Out               |
| 320H (WO,TN) | 729.5 | 264 | 134.5 | Rc1               | Rc1 $\frac{1}{4}$ |
| 330H (WO,TN) |       |     |       | Rc1 $\frac{1}{4}$ |                   |
| 340H (WO,TN) |       |     |       |                   |                   |
| 350H (WO,TN) | 739.5 | 274 | 144.5 |                   |                   |

○ The above are numbers in case that a Mitsubishi motor is used.

### ■ FTP-3MBC0.75kW × 4P × 1/10 (1/5) -3\*\*H(WO,PL,TN)-VB



#### ■ Standard and PL type

| Model     | L     |       | A   | B     | D                 |     |
|-----------|-------|-------|-----|-------|-------------------|-----|
|           | 1/5   | 1/10  |     |       | In                | Out |
| 320H (PL) | 664.3 | 386.8 | 264 | 134.5 | Rc1               | Rc1 |
| 330H (PL) |       |       |     |       | Rc1 $\frac{1}{4}$ |     |
| 340H (PL) |       |       |     |       |                   |     |
| 350H (PL) | 674.3 |       | 274 | 144.5 |                   |     |

#### ■ WO type and TN type

| Model        | L     |       | A   | B     | D                 |                   |
|--------------|-------|-------|-----|-------|-------------------|-------------------|
|              | 1/5   | 1/10  |     |       | In                | Out               |
| 320H (WO,TN) | 664.3 | 386.8 | 264 | 134.5 | Rc1               | Rc1 $\frac{1}{4}$ |
| 330H (WO,TN) |       |       |     |       | Rc1 $\frac{1}{4}$ |                   |
| 340H (WO,TN) |       |       |     |       |                   |                   |
| 350H (WO,TN) | 674.3 |       | 274 | 144.5 |                   |                   |

○ The above are numbers in case that a Mitsubishi motor is used.

## Spec

| Model     | No. of motor revolutions 50Hz 1500min <sup>-1</sup> |   |       |       |       | No. of motor revolutions 60Hz 1800min <sup>-1</sup> |   |       |       |       |
|-----------|---|---|-------|-------|-------|---|---|-------|-------|-------|
|           | Theoretical flow rate (L/min)                       | Max. discharge pressure to motor output (MPa) |       |       |       | Theoretical flow rate (L/min)                       | Max. discharge pressure to motor output (MPa) |       |       |       |
|           |   | 1500W   | 2200W | 3700W | 5500W |   | 1500W   | 2200W | 3700W | 5500W |
| 320H (VB) | 39.0  | 1.3   | 2.2   | 4.0   | 4.0   | 46.8  | 1.0   | 1.7   | 3.2   | 4.0   |
| 330H (VB) | 58.5  | 0.8   | 1.4   | 2.6   | 4.0   | 70.2  | 0.5   | 1.0   | 2.1   | 3.3   |
| 340H (VB) | 78.0  | 0.5   | 0.9   | 1.8   | 3.0   | 93.6  | 0.3   | 0.6   | 1.4   | 2.3   |
| 350H (VB) | 97.5  | 0.3   | 0.7   | 1.4   | 2.0   | 117.0   | 0.1   | 0.4   | 1.0   | 1.8   |

○ The above max. discharge pressure and max. revolution are in combination with ISO-VG46 at 40°C. The rates vary depending on viscosity and temperature.

# Relief valve for internal gear pump

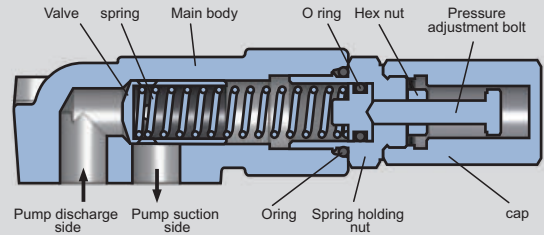
This valve is for the protection of a pump and a motor.

There are 2 types of the valve, namely the internal-return type (VB) and the external-return type (VD).



## Internal structure and pressure adjustment method

### Internal structure



### Pressure adjustment method

1. Please remove the cap.
2. Please loosen the hexagon nut.
3. Please turn the pressure adjustment bolt to the right when you to increase pressure setting. Please turn the pressure adjustment bolt to the left when you to low the pressure setting.
4. Please tighten the hexagon nut to fix the pressure adjustment bolt.
5. Please close the cap.

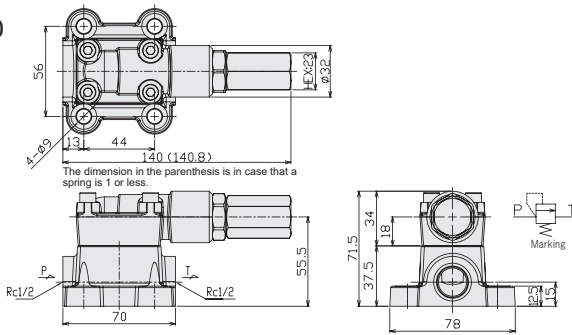
## Model

| FTP— | Model No.   | Seal material                                      | Installation   |
|------|---|--|--|
|      | 2VB (2 internal-return)<br>2VD (2 external-return)<br>3VB (3 internal-return) | No mark : Standard<br>VF : Viton(R) for high temp. | No mark : Installed in pump<br>D : Installed in plumbing |

※The set pressure of the relief valve is a cracking pressure, not a full relief pressure.

## Dimensional diagrams (mm)

### FTP-2VBD

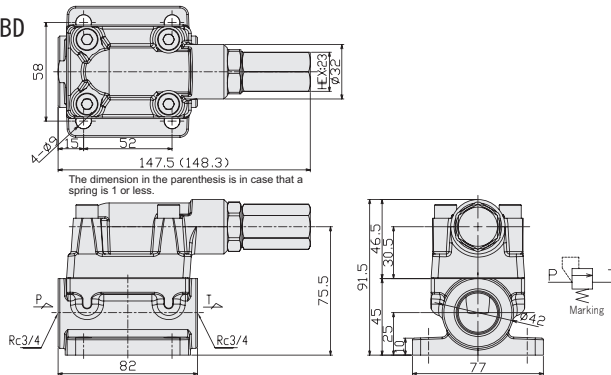


### Dimension table

| Item       | Wire $\phi$ diameter (mm) | Outer $\phi$ diameter (mm) | Number of active coils | Natural length (mm) | Standard set pressure (MPa) | Adjustable range of pressure Cracking pressure (MPa) | Use of parts |         |
|------------|---------------------------|----------------------------|------------------------|---------------------|-----------------------------|--|--------------|---------|
|            |                           |                            |                        |                     |                             |  | O-ring P-10A | Packing |
| Spring No. |                           |                            |                        |                     |                             |  |              |         |
| (OL)       | 1.4                       | 13                         | 12.0                   | 54.5                | 0.1                         | 0.04~0.08  | No           | Yes     |
| 1L         | 1.7                       | 13                         | 13.0                   | 54.0                | 0.5                         | 0.26~0.50  | Yes          | No      |
| 2L         | 1.8                       | 13                         | 13.5                   | 60.5                | 1.0                         | 0.51~1.19  |              |         |
| 3L         | 2.2                       | 13                         | 12.0                   | 57.5                | 2.0                         | 1.20~2.50  |              |         |
| 4L         | 2.9                       | 13                         | 13.0                   | 54.5                |                             |  |              |         |
| (NR2)      | 2.9                       | 13                         | 13.0                   | 57                  |                             |  |              |         |

※(OL) and (NR2) are special versions.

### FTP-3VBD

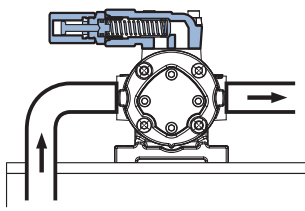


### Dimension table

| Item       | Wire $\phi$ diameter (mm) | Outer $\phi$ diameter (mm) | Number of active coils | Natural length (mm) | Standard set pressure (MPa) | Adjustable range of pressure Cracking pressure (MPa) | Use of parts |         |
|------------|---------------------------|----------------------------|------------------------|---------------------|-----------------------------|--|--------------|---------|
|            |                           |                            |                        |                     |                             |  | O-ring P-10A | Packing |
| Spring No. |                           |                            |                        |                     |                             |  |              |         |
| 1L         | 1.8                       | 14                         | 7                      | 52                  | 0.1                         | 0.08~0.25  | No           | Yes     |
| 2L         | 2.0                       | 14                         | 7                      | 52                  | 0.5                         | 0.26~0.55  | Yes          | No      |
| 3L         | 2.6                       | 14                         | 12                     | 55                  | 1.5                         | 1.31~1.70  |              |         |
| 4L         | 2.5                       | 14                         | 10                     | 60                  | 2.0                         | 1.71~2.49  |              |         |
| 5L         | 3.0                       | 14                         | 9                      | 54                  |                             |  |              |         |
| 6L         | 3.2                       | 14                         | 9                      | 51                  |                             |  |              |         |

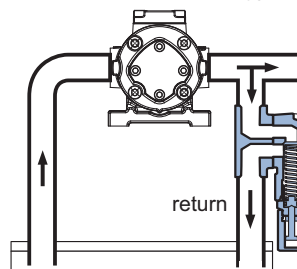
## Instructions

### Internal-return (VB type)



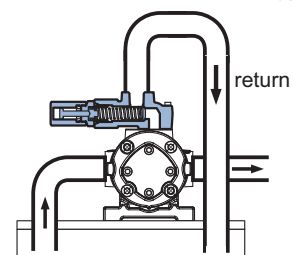
This valve is installed on the pump directly and used to alleviate an instantaneous pressure increase of oil during the transportation of oil. If the valve is in operation or an inlet and an outlet are fully opened for a long period, an adverse effect takes place such as noise, air bubbles or a temperature increase of oil. To avoid the adverse effect, please use an external-return type.

### External-return (VBD type)



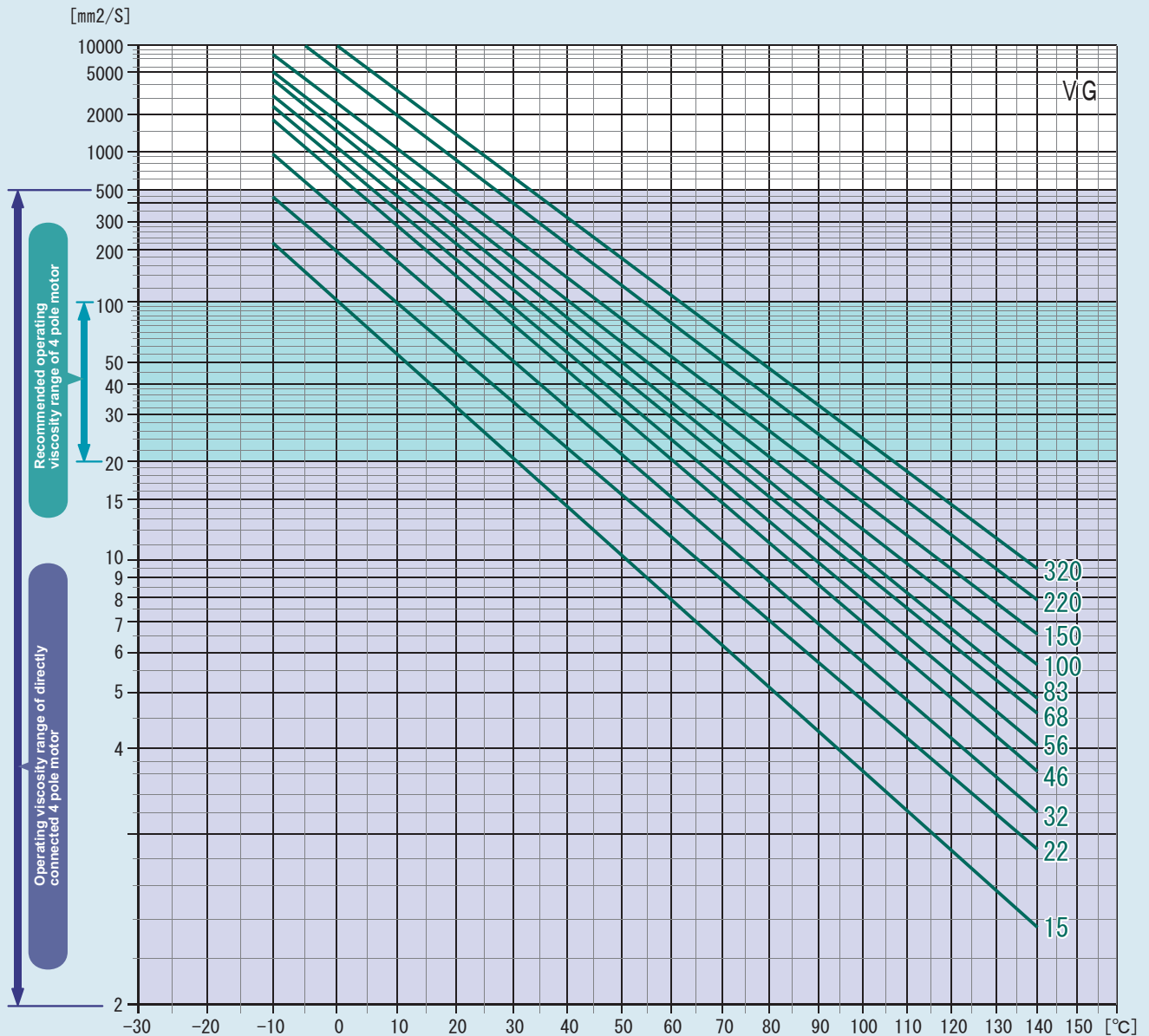
This valve is mainly used as a regulating valve for an oil pressure. A sub-plate is attached to the valve and the valve is installed in the bypass circuit of plumbing. The way this valve is used is the most suitable as relief valve. Please use this valve for doing full bypass for a long time or pressure regulation at all times.

### External-return (2VD type)



The purpose to use this valve is the same as the VBD type but this valve can be installed directly on the type 2 pump. When the 2VD valve is installed, please make sure that a plate is attached to cover a suction side and that plumbing for return is connected to an oil tank.

## Viscosity table of oils



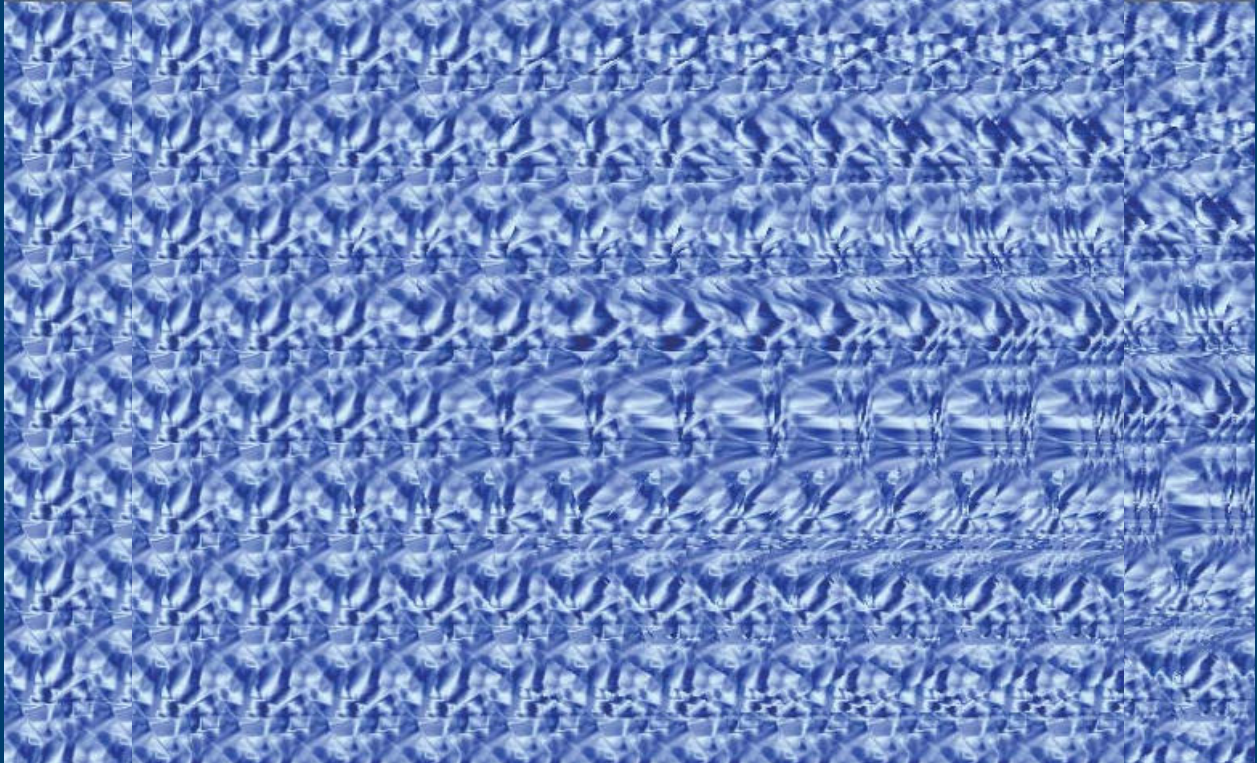
## Guide for selection of pump

1. FTP pumps are typically used for oil. For requirements using the FTP pump with other types of liquid, or under special conditions,
2. A filter must be installed in the suction side.
3. Plumbing needs to be as short as possible and should not have any acute bends..
4. Resistance of a suction side has to be 0.03MPa or less. (A pressure in the suction side must be - 0.03MPa or less.)
5. Except the WO and the PL versions, where the suction pressure needs to be 0.2MPa or less.
6. Please avoid rapid heat up or cool down. The temperature difference has to be  $40^{\circ}\text{C}$  or less and change gradually a temperature.
7. When plumbing in the pump, please pay maximum attention to the tightening torque. The allowable tightening torque is as follows.

|              |     |     |     |     |     |    |       |       |
|--------------|-----|-----|-----|-----|-----|----|-------|-------|
| Diameter R c | 1/8 | 1/4 | 3/8 | 1/2 | 3/4 | 1  | 1-1/4 | 1-1/2 |
| Torque N·m   | 10  | 20  | 20  | 25  | 30  | 70 | 80    | 90    |



*Stereogram*



Please look at the left circle and the right circle in your left and right eyes, respectively. When the circles will overlap each other, take a look at the pattern in below. You will see the characters.



---

2-29-5, Kasuganishi-machi, Hirakata-shi, Osaka 573-0136, Japan  
TEL:+81-72-858-5251 FAX:+81-72-858-5238  
URL: [www.fuji-techno.co.jp](http://www.fuji-techno.co.jp) E-mail: [info@fuji-techno.co.jp](mailto:info@fuji-techno.co.jp)

---